

99MS-60072-76
Blattschutzaufnahme Light

99MS-60051-43
Blattschutz Zahnahme Klapp.

Schnitt A-A

99MS-54565-01
Hydraulikvorschub

99MS-60072-90
Handvorschub

99MS-60072-34
Elektrovorschub

02Z2-08020-00



Facette 25° schleifen

0111-08012-00
02X5-04800-12
0111-06016-11

99MS-54565-01
Hydraulikvorschub

99MS-60072-90
Handvorschub

99MS-60072-34
Elektrovorschub

0000-60021-22
0001-53854-01
02S1-02512-50
04R1-61805-00

XXKL-00000-41
13G4-11626-06
0000-60021-22
0111-06020-00
0001-54225-02
0001-54553-01

04V1-QJ304-00
04X1-00004-00
04W1-00004-00
0501-00470-25
0111-06016-11
0001-54124-08
02L2-00040-08

0111-06055-00
0002-53859-01
04Z3-03203-00
04X1-00003-00
0001-54310-03
04W1-00003-00
0111-06016-11
0001-53855-04

0002-54457-02

0000-54098-01

0001-54124-01
0111-05020-00
0501-00050-25

Loctite 270

01 XXKL-Prüfung 21 Made in Switzerland

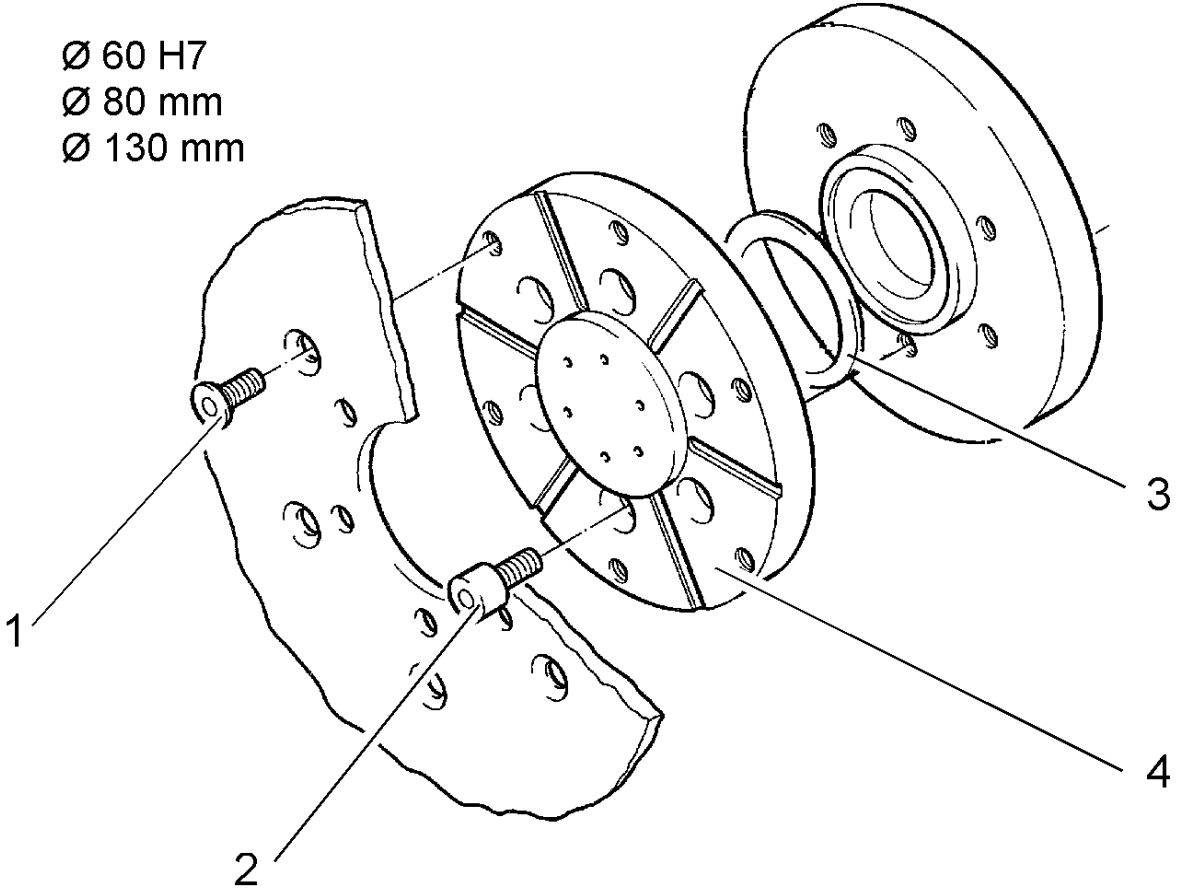
MSWA-DZ-S2	10984000	WANDSÄGE DZ-S2	WANDSÄGE DZ-S2	WANDSÄGE DZ-S2	WANDSÄGE DZ-S2	1
20HS-AZ006	973892	Schnellwechselsatz FZ/DZ/AZ	Quick-change set FZ/DZ/AZ	Plaque changement rapide	KIT CAMBIO RAPIDO MOTORE	1
99MS-60021-93	963548	Y-Schlittenf. R Bronze	Y-track guide right	Y-Schlittenf. R Bronze	Y-Schlittenf. R Bronze	1
99MS-60021-94	963547	Y-Schlittenf. L Bronze	Y-track guide left	Y-Schlittenf. L Bronze	Y-Schlittenf. L Bronze	1
99MS-54565-01	976554	Vorschubmotor DZ/FZ	Feed motor hydr.DZ/FZ	Moteur d'avance DZ/FZ	MOTORE AVANZ.PICC. 32 oml	2
99MS-60051-43	968764	Blattschutzaufnahme	Bolt	Blattschutzaufn.	Blattschutzaufn.	1
99MS-54653-01	976997	Vorschubgetr.1:16 DZ/FZ	Feed drive 1:16 DZ/FZ	REDUCTEUR AVANCE 1:16 DZ/FZ	RIDUTTORE AVANZ.1:16 DZ/FZ	1
0000-54098-01	970162	Support DZ	Support DZ	Support DZ	CHASSIS DZ	1
0000-60021-03	976356	Spannscheibe FZ	Face plate DZ/FZ	COUVERCLE DE SERRAGE FZ	DISCO DI TENSIONE FZ-FZ/S	1
0000-60021-12	977603	Schutzdeckel DZ-2/DZ-S	Cover DZ-2/DZ-S	Couvercle DZ-2/DZ-S	COPERCHIO CINGHIA DZ/2	1
0000-60021-22	968575	Schutzstopfen	Seal plug, reworking	Schutzstopfen Nacharbeit	Schutzstopfen Nacharbeit	2
0000-60021-32	976695	Lagerbolzen DZ-2 / DZ-S	Bearing bush DZ-2 / DZ-S	COUSSINET DZ-2 / DZ-S	ECCENTRICO DZ/2	1
0000-60021-33	976674	Dichtring DZ-2	Sealing ring DZ-2/DZ-S	JOINT DZ	ANELLO TENUTA ACQUA DZ	1
0000-60021-37	976677	Sägeblattdeckel DZ-2	outerflange DZ-2	FLASQUE D'APPUI	Sägeblattdeckel DZ-2	1
0000-60021-39	969108	Ring	Ring	Anneau	ANELLO PVC DZ/S	1
0000-60021-43	969106	Blattnabe DZ	Blade hub DZ	Moyeu DZ	MOZZO FLANGIA DZ/S	1
0000-60021-44	969107	Spannhülse	Tensioning bush	Douille de serrage	FLANGETTA MOZZO DZ/S	1
0000-60021-56	961500	Triebzahn z27 / B28	Triebzahn z27 / B28	Triebzahn z27 / B28	ORONA DENT. DZ-S (1:2) P	1
0000-60021-57	961501	Riemenzahn z54 / B28	Riemenzahn z54 / B28	Riemenzahn z54 / B28	CORONA DENT. DZ-S (1:2) G	1
0000-60021-68	977717	Exzenterwelle (Raster)	ECentricshaft (Raster)	Arbre excentrique	ALBERO A TACCHE X GUIDA	1
0000-60021-68	977717	Exzenterwelle (Raster)	ECentricshaft (Raster)	Arbre excentrique	ALBERO A TACCHE X GUIDA	1
0000-60021-69	977718	Prismenschieber (Raster)	Prism slide (grid)	Vanne prismatique	CURSORE A TACCHE GUIDA	1
0000-60021-69	977718	Prismenschieber (Raster)	Prism slide (grid)	Vanne prismatique	CURSORE A TACCHE GUIDA	1
0000-60021-71	977719	Druckplatte	pressure Plate	Cale de répart. de pressi	PIASTRA DI PRESS. PER GUI	1
0000-60021-71	977719	Druckplatte	pressure Plate	Cale de répart. de pressi	PIASTRA DI PRESS. PER GUI	1
0000-60021-72	977720	Exzenter	Excentre disc	Excentre disque	ECCENTRICO GUIDA	1
0000-60021-72	977720	Exzenter	Excentre disc	Excentre disque	ECCENTRICO GUIDA	1
0000-60021-76	977724	Gehäuse	Housing	Carter	SCATOLA GUIDA	1
0000-60021-76	977724	Gehäuse	Housing	Carter	SCATOLA GUIDA	1
0000-60021-77	977725	Rasterplatte	Latch plate	Plaque moteur	PIASTRA A TACCHE	1
0000-60021-77	977725	Rasterplatte	Latch plate	Plaque moteur	PIASTRA A TACCHE	1
0000-60021-78	977726	Griff rechts	grip right	Poignée droite	MANIGLIA GUIDA DX	1
0000-60021-79	977727	Rastbolzen	Latchbolt	Axe d'arrêt	PULSANTINO GUIDA	1
0000-60021-79	977727	Rastbolzen	Latchbolt	Axe d'arrêt	PULSANTINO GUIDA	1
0000-60021-86	977732	Griff links	grip left	Poignée gauche	MANIGLIA GUIDA SX	1
0000-60023-56	999998	Schwenkarm DZ-S2	Schwenkarm DZ-S2	Schwenkarm DZ-S2	Schwenkarm DZ-S2	1
0000-60059-09	977609	Dübellehre	Rawlplug template	Gabarit de tamponnage	Dübellehre	1
0000-60072-23	977400	Rasterplatte	Latch plate	Plaque moteur	PIASTRA COLL.RAP.MOTORE E	1
0001-51878-05	970394	Zahnprofil-Kuppl. AZ/DZ	Tooth profile coupling AZ	ACCOUPLLEMENT DENTE AZ	GIUNTO A PROFILO DENT. AZ	1

MSWA-DZ-S2	10984000	WANDSÄGE DZ-S2	WANDSÄGE DZ-S2	WANDSÄGE DZ-S2	WANDSÄGE DZ-S2	11
0001-53423-07	970963	Blinddeckel Sägeblattdeck	Blindcover, sawblade	DISQUE D'OPTURATION FLASQ	COPERCHIO FLANGIA	1
0001-53655-04	961278	Sägeblattdeckel Dm 164	Sägeblattdeckel Dm 164	Sägeblattdeckel Dm 164	Sägeblattdeckel Dm 164	1
0001-53854-01	971064	Schnecke SV	Worm SV	VIS SANS FIN SV DZ	VITE SENZA FINE BRAC. DZ/	1
0001-53854-02	971065	Schneckenrad SV	Worm SV	ROUE DE VIS SANS FIN SV D	RUOTA ELICOID. INTERNA DZ	1
0001-53854-03	974755	Vorschubrad	Feed wheel	PIGNON D'AVANCE DZ	RUOTA DENTATA AVANZ. DZ	1
0001-53854-06	971066	Dichtungsscheibe	Sealing washer	Joint	COPERCHIO TENUTA DZ/FZ	1
0001-53855-01	974757	Lagerhülse DZ/FZ	Storage sleeve DZ/FZ	Douille DZ/FZ	BUSSOLA ALBERO AVANZ DZ/F	1
0001-53855-02	971069	Vorschubwelle DZ/FZ	Feeding shaft DZ	Arbre d'avance DZ/FZ	ALBERINO AVANZ. DZ	1
0001-53855-03	971070	Laufring DZ/FZ	Ring DZ/FZ	Anneau DZ/FZ	ANELLO TEFLON ALBER. DZ/F	2
0001-53855-04	971068	Lagerdeckel DZ/FZ	Sleeve DZ/FZ	COUVERCLE DE ROULEMENT DZ	COPERCHIO BLOCCO AVANZ. D	1
0001-53855-06	971071	Lagerbüchse DZ/FZ	Bearing bush DZ/FZ	Coussinet DZ/FZ	BOSSOLO PER SUPP. DZ/FZ	2
0001-53857-04	971076	Antriebswelle DZ/FZ	Pinion shaft DZ/FZ	ARBRE PIGNON DZ/FZ	ALBERO MOTORE DZ/DZ-2	1
0001-54067-01	974771	Lagerhülse DZ/FZ	Bushing DZ/FZ	ENTRETOISE DZ	MANICOTTO DZ FZ	1
0001-54067-02	974772	Distanzrohr DZ/FZ	Distance bush DZ/FZ	ENTRETOISE TETE DE SCIE D	BUSSOLE DISTANZIATORE DZ	1
0001-54067-03	971105	Spannhülse DZ/FZ	Tensioning bush DZ/FZ	DOUILLE DE SERRAGE DZ/FZ	BUSSOLA DI SERRAGGIO DZ/F	1
0001-54101-01	974774	Lagerring DZ	Bearing ring DZ	Coussinet DZ	BUSSOLA DI SUPPORTO DZ	1
0001-54124-01	971118	Wasserleitung DZ/FZ	Water hose DZ/FZ	CANALISATION EAU DZ	TUBO ACQUA PORTATA	1
0001-54124-08	974777	Lagerdeckel DZ	Bearing lid DZ	Lagerdeckel DZ	COPERCHIO ALBERO ROT. DZ	1
0001-54225-02	971157	Büchse DZ/FZ	Sleeve DZ/FZ	MANCHON DZ	BUSSOLA ALB.MOT.DZ/FZ	1
0001-54310-03	971181	Dichtung Deckel Längsvor.	Gasket, lid	JOINT D'ETANCHEITE COUVER	GUARNIZ.CARTA.MOT.AVANZ.	1
0001-54553-01	976398	Schnecke LV 1:16	Worm	Vis sans fin LV 1:16	VITE SENZA FINE AVANZ. DZ	1
0001-54553-02	976399	Schneckenrad LV 1:16	Worm wheel	Roue de vis sans fin 1:16	INGRANAGGIO AVANZ. DZ	1
0002-51974-01	971203	Prisma Bronze	Guiding device (prism)	Glissoir en bronze	PRISMA AZ/FZ/DZ in ottone	1
0002-51974-01	971203	Prisma Bronze	Guiding device (prism)	Glissoir en bronze	PRISMA AZ/FZ/DZ in ottone	1
0002-51974-01	971203	Prisma Bronze	Guiding device (prism)	Glissoir en bronze	PRISMA AZ/FZ/DZ in ottone	2
0002-53859-01	971346	Schneckengehäuse DZ/FZ	Worm housing DZ/FZ	Carter vis sans fin DZ/FZ	BLOCCO ALU INGRANAGGI AV.	1
0002-54457-02	975924	HS-Typenschild klein	HS name plate small	HS-Petite plaque	HS-Typenschild klein	1
01A1-05045-00	971619	Distanzhalter M5x45	Spacer block M5 x 45	ENTRETOISE M5x45	DISTANZIALE M5X40	1
0111-04016-00	971680	Inbus-Schraube M 4x 16	Socket screw M 4x 16	Inbus-Schraube M 4x 16	VITE M 4x 16	4
0111-04016-00	971680	Inbus-Schraube M 4x 16	Socket screw M 4x 16	Inbus-Schraube M 4x 16	VITE M 4x 16	4
0111-05016-00	971691	Inbus-Schraube M 5x 16	Allen screw M5 x 16	Inbus-Schraube M 5x 16	VITE BRUGOLA M5X16	1
0111-05020-00	971693	Inbus-Schraube M 5x 20	Allen screw M5 x 20	Vis CHC M5x20	VITE BRUGOLA M5X20 DZ	2
0111-06012-00	971704	Inbus-Schraube M 6x 12	Allen screw	Vis CHC M6x12	VITE BRUGOLA M6X12 TENSIO	1
0111-06012-00	971704	Inbus-Schraube M 6x 12	Allen screw	Vis CHC M6x12	VITE BRUGOLA M6X12 TENSIO	1
0111-06016-11	971706	Inbus-Schraube M6x16 12.9	Allen screw M6x16	Vis CHC M6x16 12.9	VITE BRUGOLA M6X16 12,9	26
0111-06016-11	971706	Inbus-Schraube M6x16 12.9	Allen screw M6x16	Vis CHC M6x16 12.9	VITE BRUGOLA M6X16 12,9	3

MSWA-DZ-S2	10984000	WANDSÄGE DZ-S2	WANDSÄGE DZ-S2	WANDSÄGE DZ-S2	WANDSÄGE DZ-S2	11
0111-06020-00	971709	Inbus-Schraube M 6x 20	Socket screw M 6x 20	Vis CHC M6x20	VITE BRUGOLA M6X20	4
0111-06020-11	971710	Inbus-Schraube M6x20 12.9	Al. head screw M6x20 12.9	Vis CHC M6x20 12.9	VITE BRUGOLA M6X20 12,9	4
0111-06025-00	971711	Inbus-Schraube M 6x 25	Allen screw	is CHC M6x25	VITE BRUGOLA M6X25	1
0111-06025-00	971711	Inbus-Schraube M 6x 25	Allen screw	is CHC M6x25	VITE BRUGOLA M6X25	1
0111-06045-00	971716	Inbus-Schraube M 6x 45	Socket screw M 6x 45	is CHC M6x45	VITE BRUGOLA M6X45	4
0111-06045-00	971716	Inbus-Schraube M 6x 45	Socket screw M 6x 45	is CHC M6x45	VITE BRUGOLA M6X45	4
0111-06055-00	971719	Inbus-Schraube M 6x 55	Allen screw M 6 x 55	Vis CHC M6x55	VITE BRUGOLA M6X55	3
0111-08012-00	971729	Inbus-Schraube M 8x 12	Socket screw M 8x 12	Vis CHC M 8x 12	VITE M 8x 12	2
0111-08016-11	971732	Inbus-Schraube M8x16 12.9	Allen screw	VIS CHC M8 X 16 12.9 95	VITE BRUGOLA M8X16 12,9	6
0111-08020-00	979283	Inbus-Schraube M 8 x 20	Allen screw M8 x 20	Vis CHC M 8 x 20	VITE M 8 x 20	6
0111-08020-11	971735	Inbus-Schraube M8x20 12.9	Al. head screw M8x20 12.9	VIS CHC M8 X 20 12,9 95	VITE BRUGOLA M8X20 12.9	11
0111-10030-00	971765	Inbus-Schraube M10x 30	Allen screw M10 x 30	Vis CHC M10x30	VITE BRUGOLA M10X30	1
0112-06012-00	971808	Inb-Schr. Nied.KopfM 6x12	Allen head screw M 6x12	VIS HC TETE RONDE M 6x12	VITE BRUG. M6X12 PRISMA	8
0112-06016-00	971809	Inb-Schr.nied.KopfM 6x 16	Allen screw M 6x 16	Vis HC tête basse M6x16	VITE BRUG. M6X16 PRISMA D	2
0112-06016-00	971809	Inb-Schr.nied.KopfM 6x 16	Allen screw M 6x 16	Vis HC tête basse M6x16	VITE BRUG. M6X16 PRISMA D	2
0112-06016-00	971809	Inb-Schr.nied.KopfM 6x 16	Allen screw M 6x 16	Vis HC tête basse M6x16	VITE BRUG. M6X16 PRISMA D	4
0116-04006-23	971832	Inb-Schr.extr.n.Kopf M4x6	all.screwextr.filhd M4x6	VIS CHC tête plate M4x6	VITE BRUGOLA M4X6 BASSA	4
0116-05008-23	971834	Inb-Schr.extr.n.Kopf M5x8	Allen screw M5x8	IS CHC tête plate M5x8	VITE BRUGOLA M5X8 BASSA	1
01S1-16030-00	971937	6kt-Schraube M16x30	hex.-screw M16x30	Vis 6 pans M16x30	VITE ESAGON. M16x30 DZ/2	1
02L2-00040-08	971986	Kerbnagel 4x8	Wedge nail 4x8	Rivet 4x8	VITE M4x8 X LIVELLA	4
02S1-02512-50	971996	Seegering Welle Dm 25	seeger ring shaft dia 25	CIRCLIPS ARBRE DIAMETRE 2	SEEGER DM 25 DZ/FZ	1
02S2-02110-50	972006	Seegering Bohr. Dm 21	Seeger ring dia. 21	Circlips int. diam 21 mm	SEEGER DM 21	1
02S2-04717-50	972013	Seegering Bohr. Dm 47	Seeger ring dia. 47	CIRCLIP INTERIEUR DIA 47	SEEGER DM 47 GS/D	1
02X5-04800-12	979404	STOPFEN Dm 48 GPN 350	filling dia 48 GPN 350	Stopfen Dm 48 GPN 350	Stopfen Dm 48 GPN 350	1
02Z2-08020-00	972055	Zylinderstift 8 m6 x 20	Straight pin	GOUPILLE 8m6x20	SPINA DZ/FZ	2
02Z2-08020-00	972055	Zylinderstift 8 m6 x 20	Straight pin	GOUPILLE 8m6x20	SPINA DZ/FZ	1
03D1-31215-00	968733	Druckfeder Dm 6.3x0.8x23	cp. spring dia6.3x0.8x23	Ressort diam. 6.3x0.8x23	OLLA X GUIDA Dm6.3x0.8x23	1
03D1-31215-00	968733	Druckfeder Dm 6.3x0.8x23	cp. spring dia6.3x0.8x23	Ressort diam. 6.3x0.8x23	OLLA X GUIDA Dm6.3x0.8x23	1
03D1-31290-00	968671	Druckfeder Dm 5x1x17	comp. spring dia 5x1x17	Ressort diam. 5x1x17	MOLLA X GUIDA Dm 5x1x17	1
03D1-31290-00	968671	Druckfeder Dm 5x1x17	comp. spring dia 5x1x17	Ressort diam. 5x1x17	MOLLA X GUIDA Dm 5x1x17	1
04B1-06000-00	979462	Kugel Dm 6	ball dia 6	Kugel Dm 6	SFERA DM 6 PER GUIDA	3
04B1-06000-00	979462	Kugel Dm 6	ball dia 6	Kugel Dm 6	SFERA DM 6 PER GUIDA	3
04R1-06906-00	972140	Rillen-Kugellager 6906	Deep groove ball bearing	Roulement à bille 6906	CUSCINETTO 6906 WTW	2
04R1-61805-00	972143	Rillen-Kugellag. 61805T	ball bear. 61805T	ROULEMENT A BILLE 61805 T	CUSCINETTO 61805 T	1
04R3-06205-10	977061	Ril.Kugell. 6205-2RS1-W64	Deep groove ball bearing	Roulement billes 6205-2RS	CUSCINETTO 6205 KW 10	1
04R3-06206-10	977062	Ril.Kugell. 6206-2RS1-W64	Deep groove ball bearing	Roulement billes 6206-2RS	CUSCINETTO 6206 KW 10	1

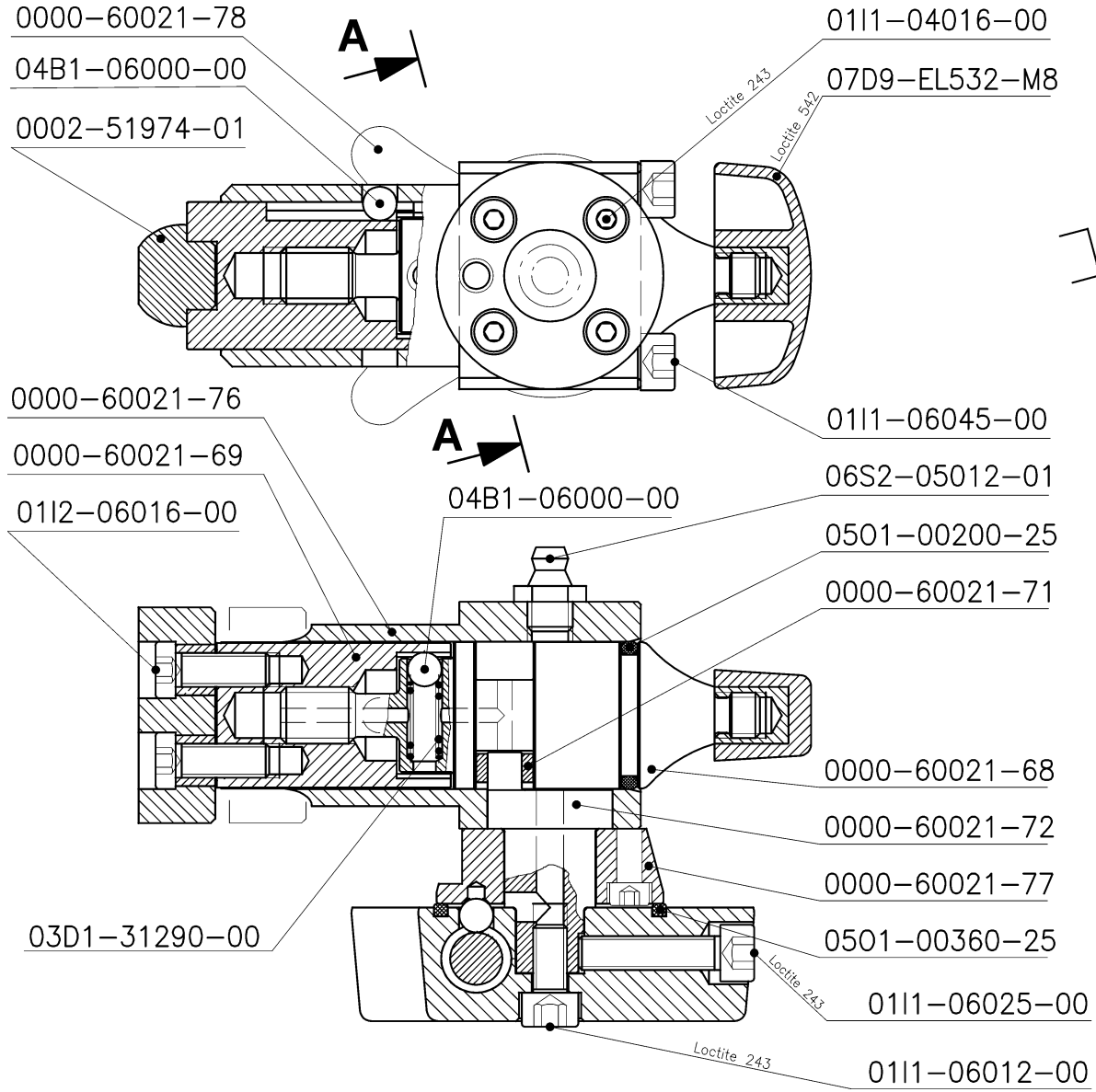
MSWA-DZ-S2	10984000	WANDSÄGE DZ-S2	WANDSÄGE DZ-S2	WANDSÄGE DZ-S2	WANDSÄGE DZ-S2	WANDSÄGE DZ-S2	11
04V1-QJ304-00	972157	Vierpunktlager QJ304	Four point bearing	PALIER 4 POINTS QJ304	CUSCINETTO QJ304		1
04W1-00003-00	972159	Wellenmutter KM3	Storage lid	ECROU D'ARBRE KM3	DADO KM3 DZ		1
04W1-00004-00	974848	Wellenmutter KM4	Shaft nut	ECROU KM4	DADO ALBERO 14 DENTI AZ		1
04W2-00005-00	975954	Stop-Wellenmutter 25x1,5	Stop-Shaft nut	ECROU 25X1,5	DADO ALBERO DZ/FZ		1
04X1-00003-00	972164	Sicherungsblech MB3	Safety sheet metal	RONDELLE DE SECURITE NB3	LAMIERA DI SICUREZZA		1
04X1-00004-00	972165	Sicherungsblech MB4	Safety sheet metal	RONDELLE DE SECURITE MB4	LAMIERA DI SICUREZZA DZ		1
04Z3-03203-00	972179	Schrägkugellager 3203-2RS	Angular ball bearing	Roulement billes 3203-2RS	CUSCINETTO 3203-2RS		1
04Z3-03207-00	977651	Schrägkugellager 3207-2RS	Ang.ball bearing 3207-2RS	Roul. cont. obl. 3207-2RS	CUSCINETTO 3207 B-2RSR		1
05D1-40474-00	969142	Dichtring Dm 40x47x4	Sealing ring dia 40x47x4	Joint 40x47x4	ANELLO TENUTA 40X47X4		1
05D1-45524-00	969143	Dichtring Dm 45x52x4	Sealing ring dia 45x52x4	Joint Dm 45x52x4	ANELLO TENUTA 45X52X4		1
05L1-00085-50	968771	V-Dichtung TWVA-0085	V-Seal TWVA-0085	JOINT V TWVA-0085	V-RING FZ TWVA-0085		1
05O1-00050-25	972210	O-Ring 5x2,5 N 70	O-ring d.5x2,5 N 70	O-Ring 5x2,5 N 70	O-RING 5x2,5 N 70		4
05O1-00060-20	976437	O-Ring Dm 6x2 N 70	O-ring d.6x2 N 70	O-Ring Dm 6x2 N 70	O-RING 6x2 70 N		8
05O1-00070-25	972213	O-Ring 7x2,5 N 70	O-Ring 7x2,5 N 70	O-Ring 7x2,5 N 70	O-Ring 7x2,5 DZ-FZ		1
05O1-00070-25	972213	O-Ring 7x2,5 N 70	O-Ring 7x2,5 N 70	O-Ring 7x2,5 N 70	O-Ring 7x2,5 DZ-FZ		1
05O1-00160-25	972227	O-Ring 16x2,5 N 70	O-ring	O-Ring 16x2,5 N 70	O-RING 16x2,5 N 70		1
05O1-00200-25	972234	O-Ring 20x2,5 N 70	O-Ring 20x2,5 N 70	O-RING 20 X 2,5	O-Ring 20x2,5 DZ-FZ CR-3		1
05O1-00200-25	972234	O-Ring 20x2,5 N 70	O-Ring 20x2,5 N 70	O-RING 20 X 2,5	O-Ring 20x2,5 DZ-FZ CR-3		1
05O1-00300-25	972248	O-Ring 30x2,5 N 70	O-ring d.30x2,5 N 70	O-Ring 30x2,5 N 70	O-RING 30x2,5 N 70		1
05O1-00360-25	972256	O-Ring 36x2,5 N 70	O-Ring 36x2,5 N 70	O-Ring 36x2,5 N 70	O-Ring 36x2,5		1
05O1-00360-25	972256	O-Ring 36x2,5 N 70	O-Ring 36x2,5 N 70	O-Ring 36x2,5 N 70	O-Ring 36x2,5		1
05O1-00470-25	972266	O-Ring 47x2,5 N 70	O-Ring 47x2,5 N 70	O-Ring 47x2,5 N 70	O-RING 47x2,5 N 90		1
05O1-00670-25	969324	O-Ring 67x2.5	O-ring 67x2.5	O-Ring Dm 67x2.5	O-RING DM 65 X 2.5		1
05O1-01050-25	972294	O-Ring 105x2,5 N 70	O-ring d.105x2,5 N 70	O-Ring 105x2,5 N70	O-RING 105x2,5 N 70 DZ		1
05O1-01050-25	972294	O-Ring 105x2,5 N 70	O-ring d.105x2,5 N 70	O-Ring 105x2,5 N70	O-RING 105x2,5 N 70 DZ		3
05O1-01100-35	974850	O-Ring 110x3,5 N 70	O-Ring 110x3,5	O-Ring 110x3,5 N70	O-Ring 110x3,5 FZ		2
05O1-01266-26	972299	O-Ring 126,67x 2,62 N 70	O-Ring 126,67x 2,62 N 70	O-Ring 126,67x 2,62 N 70	O-RING 126,67x 2,62 N70 D		1
05S2-00300-70	972331	Sim.ring A 30/47/7 NBR RF	Shaft seal	Joint à lèvres 30/47/7	ANELLO TENUTA 30x47x7 NBR		1
05S2-00380-50	979580	Sim.ring A 38/54/5 NBR Rf	Retaining ring 38/54/5	Joint à lèvres A 38/54/5	ANELLO TENUTA 38x54x5 NBR		1
06S2-05012-01	972464	Schmiernippel H1 NPT 1/8	Grease nipple H1 NPT 1/8	GRAISSEUR H1 NPT 1/8	VALVOLA INGRASSAGGIO AZ		1
06S2-05012-01	972464	Schmiernippel H1 NPT 1/8	Grease nipple H1 NPT 1/8	GRAISSEUR H1 NPT 1/8	VALVOLA INGRASSAGGIO AZ		1
07D9-EL532-M8	968679	Flügelmutter M8	Fly nut M8	Ecrou papillon M8	POMELLO GUIDA M8		1
07D9-EL532-M8	968679	Flügelmutter M8	Fly nut M8	Ecrou papillon M8	POMELLO GUIDA M8		1
07S2-07013-14	972789	Stecknippel 1/4" A1-WR013	Plug-in nipple1/4A1-WR013	Coupleur 1/4 A 1-WR013	RACC.ACQUA MASCH.1/4" MA		1
13G4-11626-06	973616	Bügelgriff GN-565.1	Shackle crank	POIGNEE HCCB-4/DZ/FZ	IMPUGNATURA A MANIGLIA		2
13Z2-00720-28	969460	Zahnriemen GT 8M-720-28	Tooth belt for DZ-S	cour. crantée GT8M-720-28	CINGHIA DENTATA DZ-S		1
20HS-DS003	977065	Blattdeckel Zentralb.DZ-2	Bladeflange DZ-2,central	Flasque à vis centrale	FLANGIA DISCO 1 DADO DZ-2		1
20HS-DS011	961280	Sägeblattdeckel kpl.Dm164	Sägeblattdeckel kpl.Dm164	Sägeblattdeckel kpl.Dm164	Sägeblattdeckel kpl.Dm164		1

Ø 60 H7
Ø 80 mm
Ø 130 mm

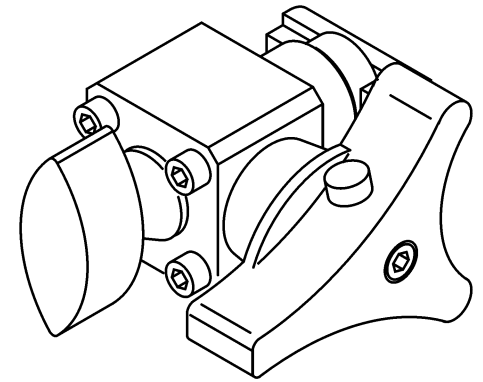
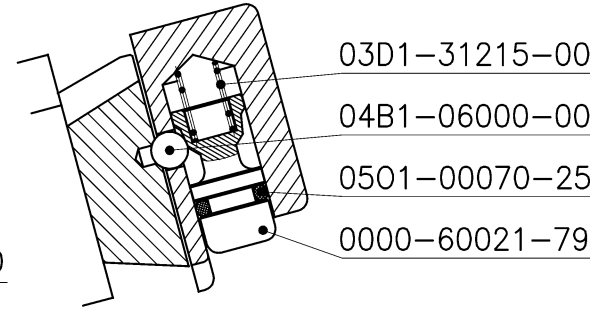


99MS-51973-00 Bündigschnittflansch Flush cut flange**Bride pour coupe à ras****Flangia per taglio a filo parete**

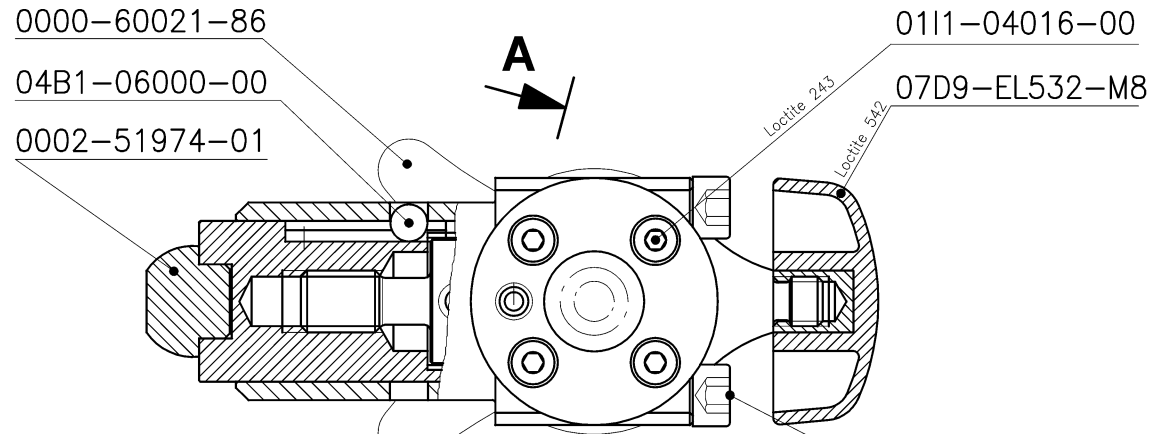
1	0114-08016-21	Senkkopfschraube	Countersunk head screw	Vis à tête fraisée	Vite a testa svasata	6	6xM8x16 10.9
2	0111-08016-11	Inbusschraube	Allen head screw	Vis à six pans creux	Vite ad esagono cavo	6	6xM8x16 12.9
3	0004-52650-01	Flachdichtung	Flat packing	Garniture plate	Guarnizione piatta		
4	0002-51967-01	Bündigschnittflansch	Flush cut flange	Bride pour coupe à ras	Flangia per taglio a filo parete		



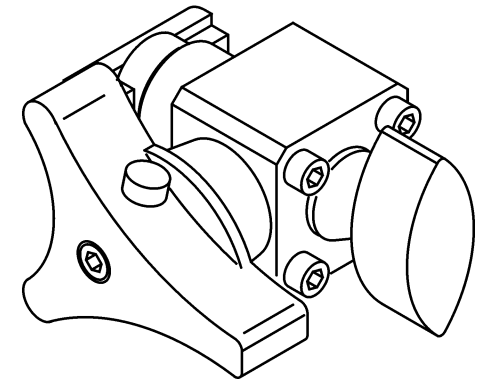
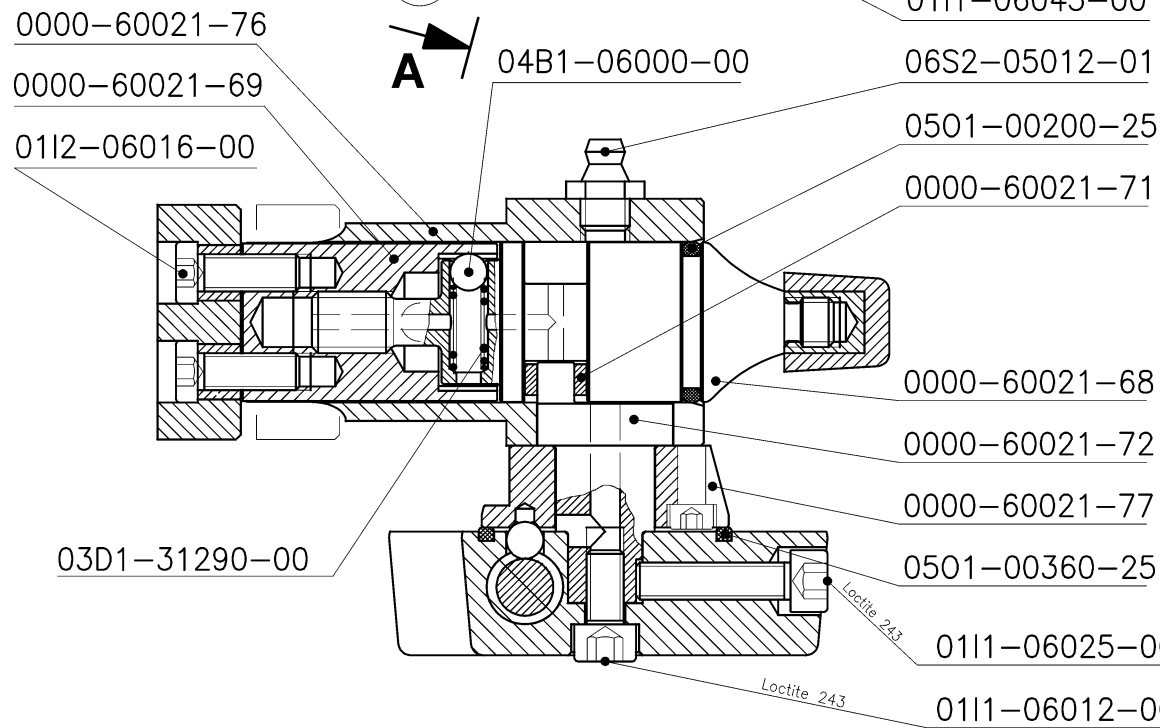
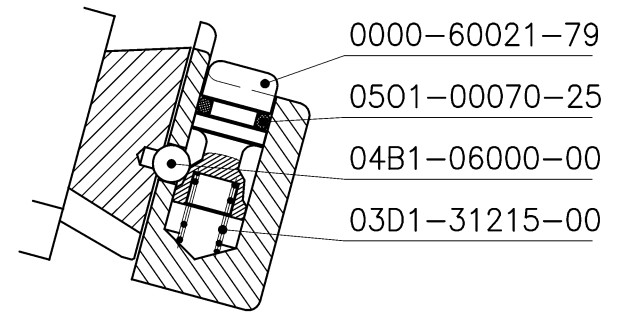
Schnitt A-A



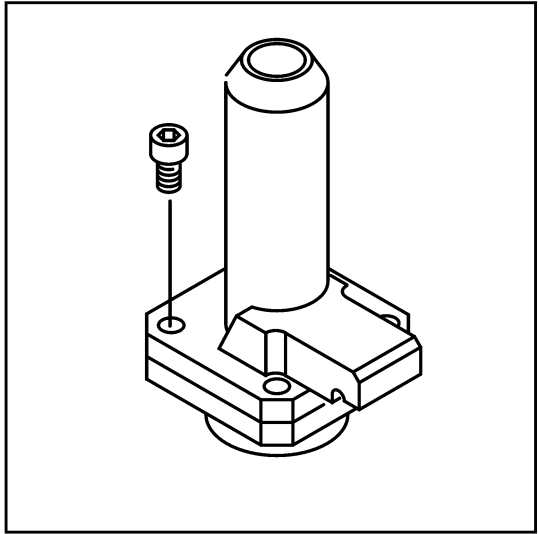
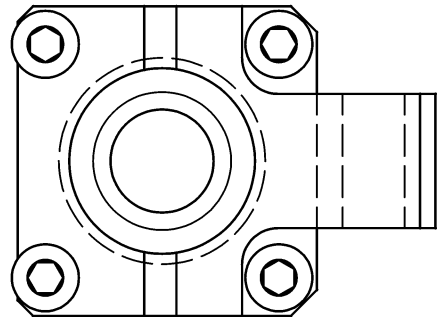
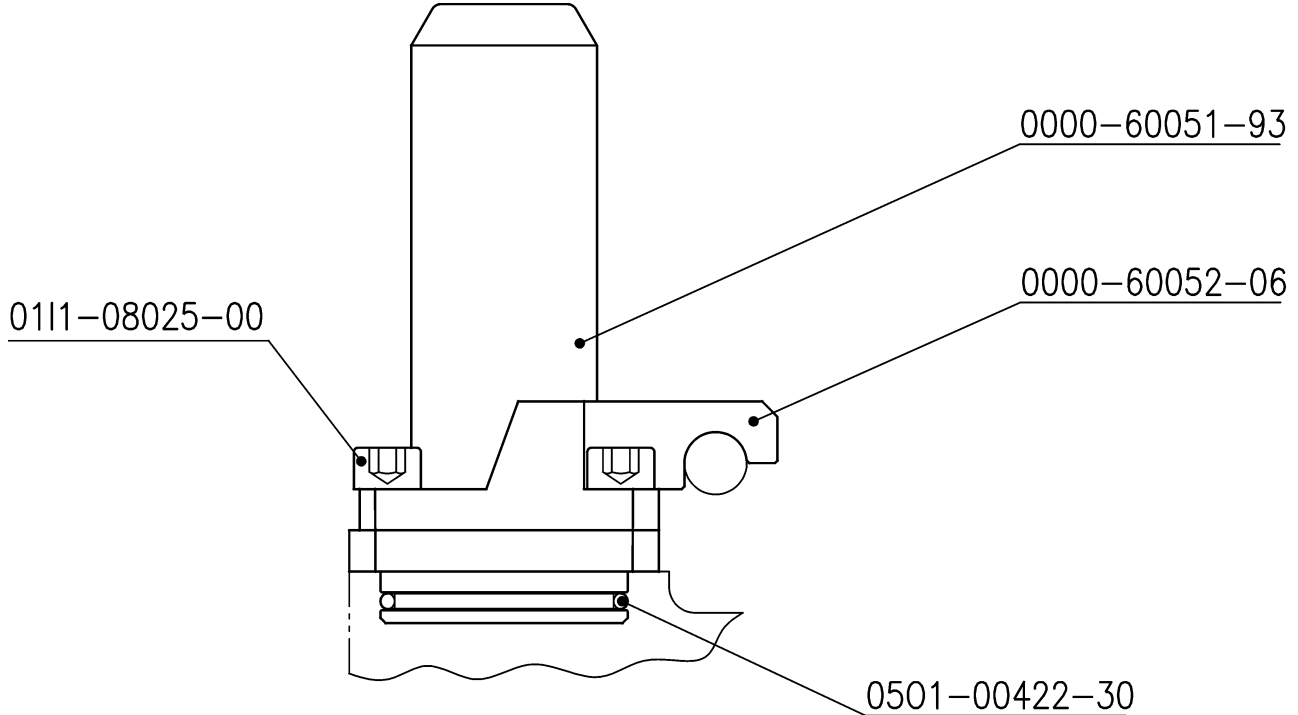
99MS-60021-93	963548	Y-Schlittenführung rechts	Glissière de char. Y droite	Y-Carriage guide right	Guida del carrello Y destra	pcs.
0000-60021-68	977717	Exzenterwelle (Raster)	ECentricshaft (Raster)	Arbre excentrique	ALBERO A TACCHE X GUIDA	1
0000-60021-69	977718	Prismenschieber (Raster)	Prism slide (grid)	Vanne prismatique	CURSORE A TACCHE GUIDA	1
0000-60021-71	977719	Druckplatte	pressure Plate	Cale de répart. de pressi	PIASTRA DI PRESS. PER GUI	1
0000-60021-72	977720	Exzenter	Excentre disc	Excentre disque	ECCENTRICO GUIDA	1
0000-60021-76	977724	Gehäuse	Housing	Carter	SCATOLA GUIDA	1
0000-60021-77	977725	Rasterplatte	Latch plate	Plaque moteur	PIASTRA A TACCHE	1
0000-60021-78	977726	Griff rechts	grip right	Poignée droite	MANIGLIA GUIDA DX	1
0000-60021-79	977727	Rastbolzen	Latchbolt	Axe d'arrêt	PULSANTINO GUIDA	1
0002-51974-01	971203	Prisma	Prisma	Prisma	Prisma	1
0111-04016-00	971680	Inbus-Schraube M 4x 16	Socket screw M 4x 16	Inbus-Schraube M 4x 16	VITE M 4x 16	4
0111-06012-00	971704	Inbus-Schraube M 6x 12	Allen screw	Vis CHC M6x12	VITE BRUGOLA M6X12 TENSIO	1
0111-06025-00	971711	Inbus-Schraube M 6x 25	Allen screw	Vis CHC M6x25	VITE BRUGOLA M6X25	1
0111-06045-00	971716	Inbus-Schraube M 6x 45	Socket screw M 6x 45	Vis CHC M6x45	VITE BRUGOLA M6X45	4
0112-06016-00	971809	Inb-Schr.nied.KopfM 6x 16	Allen screw M 6x 16	Vis HC tête basse M6x16	VITE BRUG. M6X16 PRISMA D	2
03D1-31215-00	968733	Druckfeder Dm 6.3x0.8x23	cp. spring dia6.3x0.8x23	Ressort diam. 6.3x0.8x23	MOLLA X GUIDA Dm6.3x0.8x23	1
03D1-31290-00	968671	Druckfeder Dm 5x1x17	comp. spring dia 5x1x17	Ressort diam. 5x1x17	MOLLA X GUIDA Dm 5x1x17	1
04B1-06000-00	979462	Kugel Dm 6	ball dia 6	Kugel Dm 6	SFERA DM 6 PER GUIDA	3
05O1-00070-25	972213	O-Ring 7x2,5 N 70	O-Ring 7x2,5 N 70	O-Ring 7x2,5 N 70	O-Ring 7x2,5 DZ-FZ	1
05O1-00200-25	972234	O-Ring 20x2,5 N 70	O-Ring 20x2,5 N 70	O-RING 20 X 2,5	O-Ring 20x2,5 DZ-FZ CR-3	1
05O1-00360-25	972256	O-Ring 36x2,5 N 70	O-Ring 36x2,5 N 70	O-Ring 36x2,5 N 70	O-Ring 36x2,5	1
06S2-05012-01	972464	Schmiernippel H1 NPT 1/8	Grease nipple H1 NPT 1/8	GRAISSEUR H1 NPT 1/8	VALVOLA INGRASSAGGIO AZ	1
07D9-EL532-M8	968679	Flügelmutter M8	Fly nut M8	Ecrou papillon M8	POMELLO GUIDA M8	1



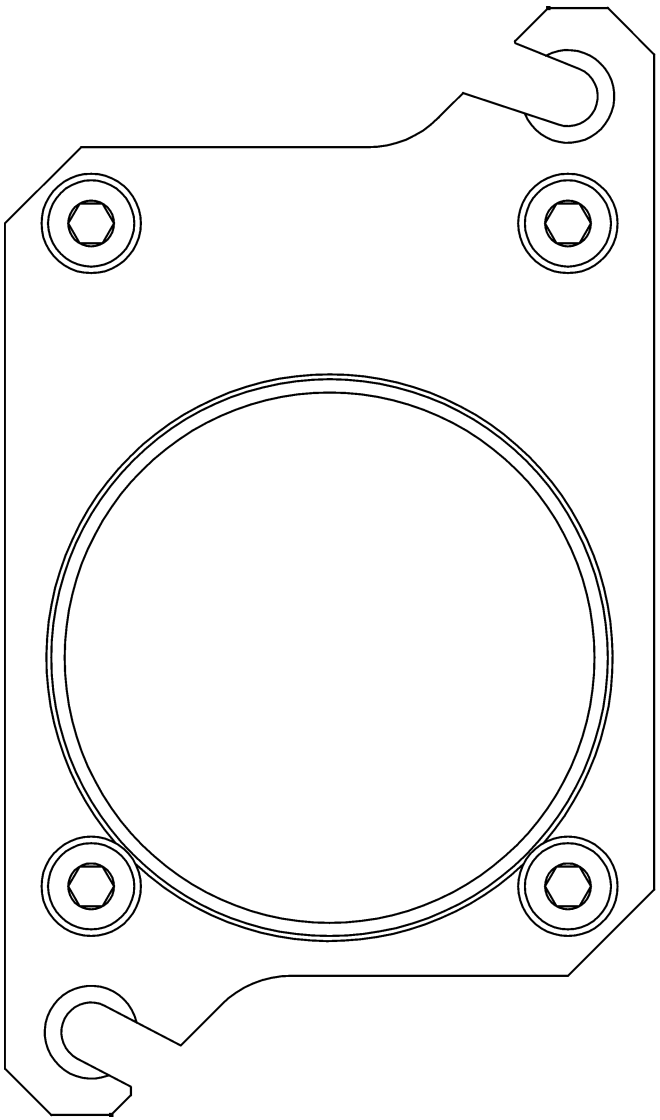
Schnitt A-A



99MS-60021-94	963547	Y-Schlittenführung links	Gliss. de char. Y gauche	Y-Carriage guide left	Guida del carrello Y sinistra	pcs.
0000-60021-68	977717	Exzenterwelle (Raster)	ECentricshaft (Raster)	Arbre excentrique	ALBERO A TACCHE X GUIDA	1
0000-60021-69	977718	Prismenschieber (Raster)	Prism slide (grid)	Vanne prismatique	CURSORE A TACCHE GUIDA	1
0000-60021-71	977719	Druckplatte	pressure Plate	Cale de répart. de pressi	PIASTRA DI PRESS. PER GUI	1
0000-60021-72	977720	Exzenter	Excentre disc	Excentre disque	ECCENTRICO GUIDA	1
0000-60021-76	977724	Gehäuse	Housing	Carter	SCATOLA GUIDA	1
0000-60021-77	977725	Rasterplatte	Latch plate	Plaque moteur	PIASTRA A TACCHE	1
0000-60021-79	977727	Rastbolzen	Latchbolt	Axe d'arrêt	PULSANTINO GUIDA	1
0000-60021-86	977732	Griff links	grip left	Poignée gauche	MANIGLIA GUIDA SX	1
0002-51974-01	971203	Prisma	Prisma	Prisma	Prisma	1
0111-04016-00	971680	Inbus-Schraube M 4x 16	Socket screw M 4x 16	Inbus-Schraube M 4x 16	VITE M 4x 16	4
0111-06012-00	971704	Inbus-Schraube M 6x 12	Allen screw	Vis CHC M6x12	VITE BRUGOLA M6X12 TENSIO	1
0111-06025-00	971711	Inbus-Schraube M 6x 25	Allen screw	Vis CHC M6x25	VITE BRUGOLA M6X25	1
0111-06045-00	971716	Inbus-Schraube M 6x 45	Socket screw M 6x 45	Vis CHC M6x45	VITE BRUGOLA M6X45	4
0112-06016-00	971809	Inb-Schr.nied.KopfM 6x 16	Allen screw M 6x 16	Vis HC tête basse M6x16	VITE BRUG. M6X16 PRISMA D	2
03D1-31215-00	968733	Druckfeder Dm 6.3x0.8x23	cp. spring dia6.3x0.8x23	Ressort diam. 6.3x0.8x23	MOLLA X GUIDA Dm6.3x0.8x23	1
03D1-31290-00	968671	Druckfeder Dm 5x1x17	comp. spring dia 5x1x17	Ressort diam. 5x1x17	MOLLA X GUIDA Dm 5x1x17	1
04B1-06000-00	979462	Kugel Dm 6	ball dia 6	Kugel Dm 6	SFERA DM 6 PER GUIDA	3
05O1-00070-25	972213	O-Ring 7x2,5 N 70	O-Ring 7x2,5 N 70	O-Ring 7x2,5 N 70	O-Ring 7x2,5 DZ-FZ	1
05O1-00200-25	972234	O-Ring 20x2,5 N 70	O-Ring 20x2,5 N 70	O-RING 20 X 2,5	O-Ring 20x2,5 DZ-FZ CR-3	1
05O1-00360-25	972256	O-Ring 36x2,5 N 70	O-Ring 36x2,5 N 70	O-Ring 36x2,5 N 70	O-Ring 36x2,5	1
06S2-05012-01	972464	Schmiernippel H1 NPT 1/8	Grease nipple H1 NPT 1/8	GRAISSEUR H1 NPT 1/8	VALVOLA INGRASSAGGIO AZ	1
07D9-EL532-M8	968679	Flügelmutter M8	Fly nut M8	Ecrou papillon M8	POMELLO GUIDA M8	1



99MS-60051-43	977324	Blattschutzaufnahme	Blattschutzaufnahme	Blattschutzaufnahme	Blattschutzaufnahme	pcs.
0000-60051-93	977937	Zentrierbolzen	centering bolt	Zentrierbolzen	Zentrierbolzen	1
0000-60052-06	977949	Zentrierplatte	centering plate US	Zentrierplatte US	Zentrierplatte US	1
0111-08025-00	979284	Inbus-Schraube M8 x 25	Socket screw M 8x 25	Vis CHC M8x25	VITE M 8x 25	4
0501-00422-30	979549	O-Ring 42 x 3 N70	O-Ring 42 x 3 N70	O-Ring 42 x 3 N70	O-Ring 42 x 3 N70	1



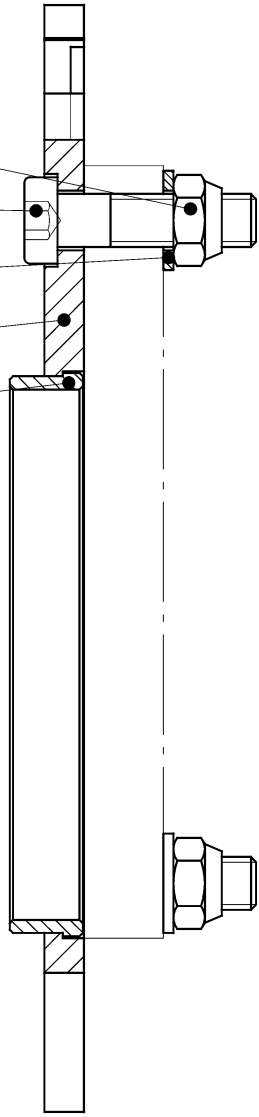
01M3-08000-60

01I6-08030-23

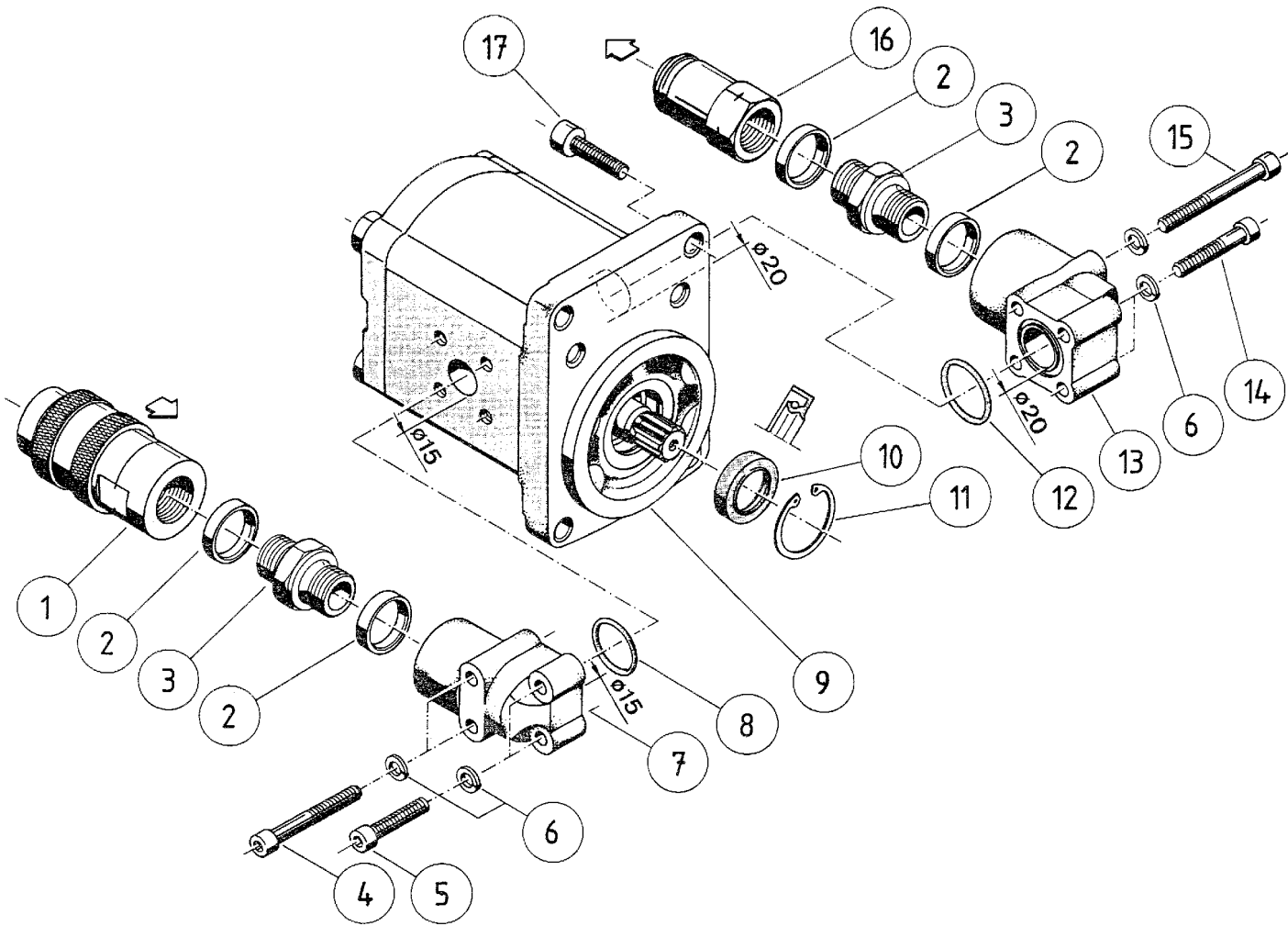
01U1-08015-50

0001-53391-01

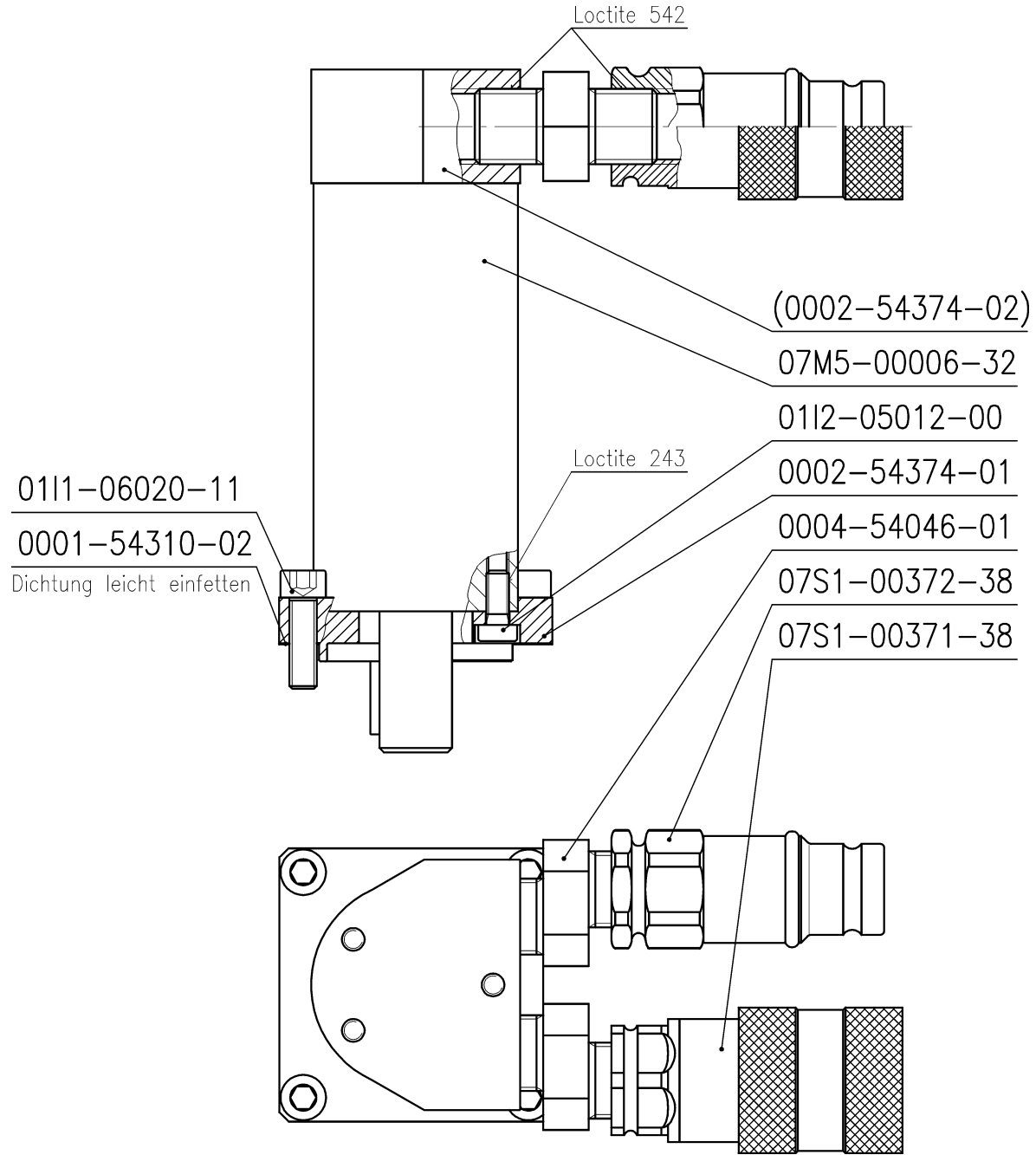
0001-53391-03



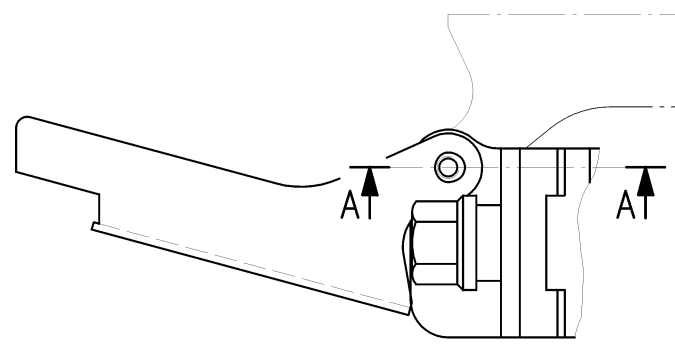
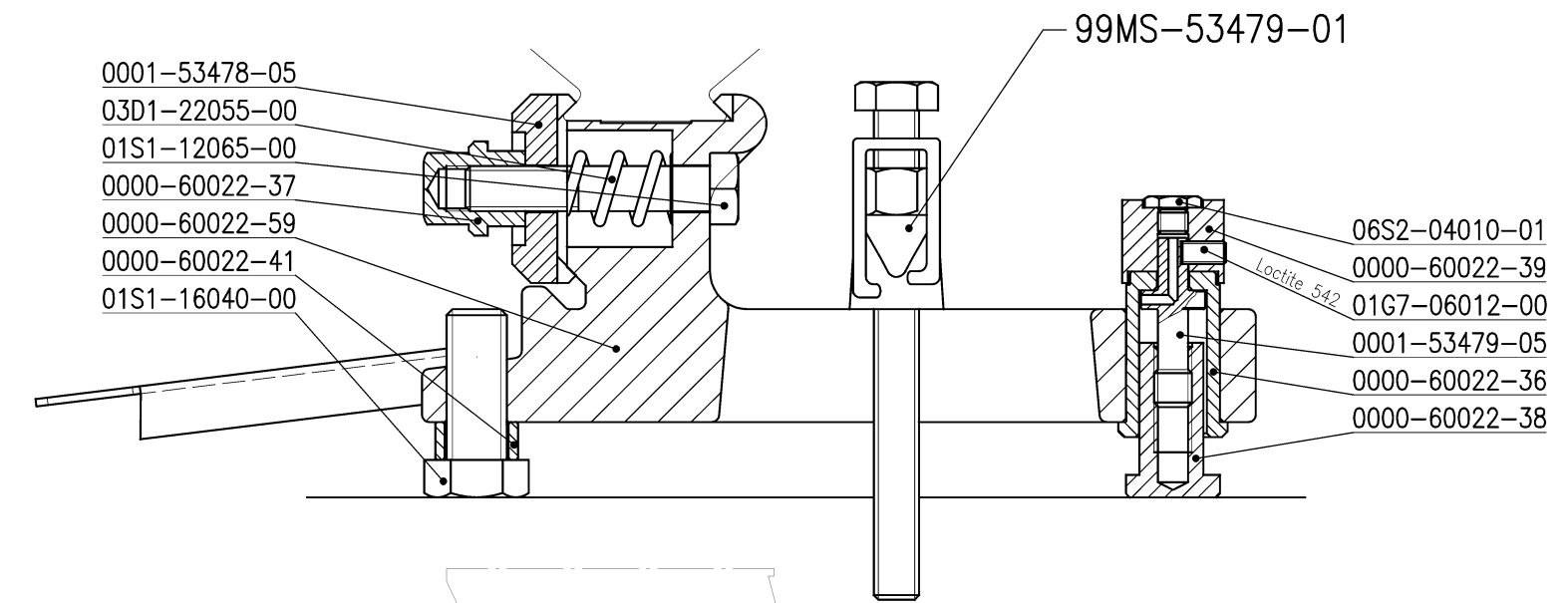
20HS-AZ006	973892	Gr.2 Schnellwechselsatz	Raccord rapide du moteur	Quick change set	Set per cambiamento rapido	pcs.
0001-53391-01	970942	Motorplatte AZ-S Schnellw	MotorPlate AZ-S rapid chg	Motorplatte AZ-S Schnellw	Motorplatte AZ-S Schnellw	1
0001-53391-03	970944	Zentrierring AZ-S Schnellw	centering ring AZ-S	CENTERING RING	Zentrierring AZ-S Schnellw	1
01I6-08030-23	971835	Inb-Schr.extr.n.KopfM8x30	all.screwextr.flhd M8x30	Vis HC Tête plate M8x30	VITE BRUGOLA M8X30 BASSA	4
01M3-08000-60	971861	Stop-Mutter M8 nied.Form	stop-nut M8 thin head	Ecrou Nylstop M8	DADO	4
01U1-08015-50	979353	U-Scheibe M8	washer M8	Rondelle M8	RONDELLA M8	4



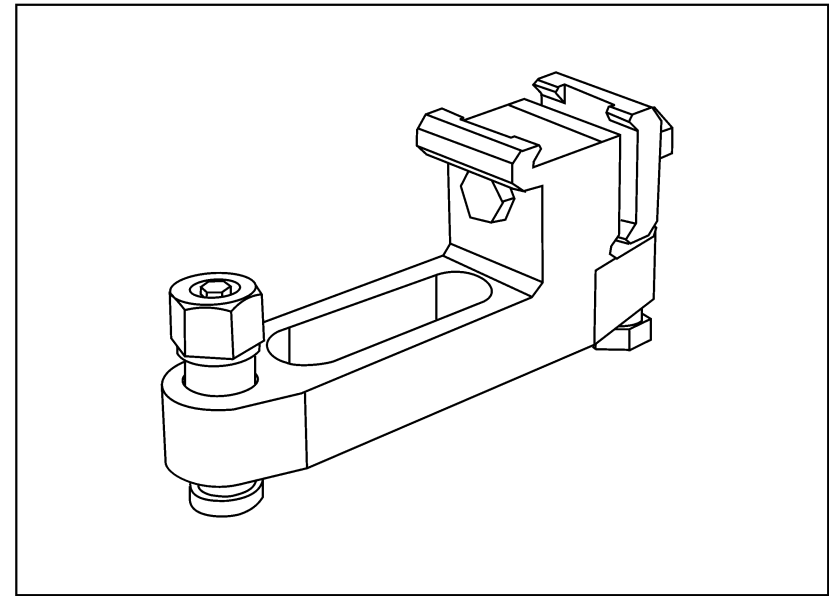
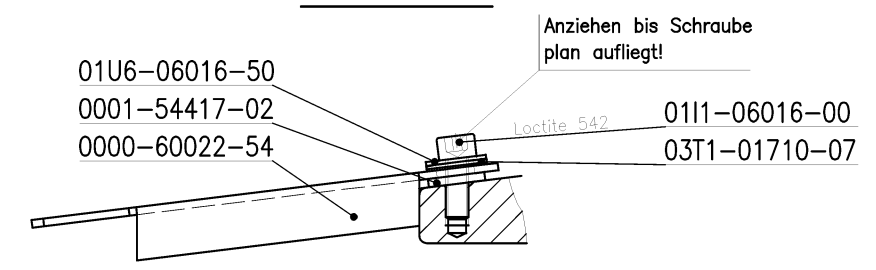
pos.	99MM-32005-__	Sägemotor Gr. 2	Saw motor Gr. 2	Moteur de sciage Gr. 2	Motore della sega	pcs.
1	07S1-00501-12	Kupplung	Coupling	Raccord femelle	Giunto	1
1A	07S1-00801-12	Kupplung FD Mut 1/2"	Coupling	Raccord femelle	Giunto	1
2	08D1-80341-12	Dichtring G 1/2"	Sealing ring	Anneau d'étanchéité	Anello di guarnizione	4
3	14D4-90201-12	Einschraubstutzen G1/2"-G1/2"	Screw-type connection piece	Manchon vissé	Gomito ad avvitamento	2
4	01I1-06045-00	Inbusschraube M6x45	Allen head screw	Vis à six pans creux	Vite ad esagono cavo	2
5	01I1-06030-00	Inbusschraube M6x30	Allen head screw	Vis à six pans creux	Vite ad esagono cavo	2
6	01F1-06000-50	Federring M6 DIN 127A	Spring washer	Rondelle élastique bombée	Rosetta elastica	8
7	07FI-61210-12	Motorflansch 2BK 1/2"-35	Motor flange	Bride de moteur	Flangia motore	1
8	05O1-00190-25	O-Ring 19x2,5	O-Ring	O-ring	Guarnizione OR	1
9	07M2-32205-__	Motor Bosch Gr 2	Motor	Moteur	Motore	1
10	05S1-00180-78B	Simmering	Shaft seal	Bague à lèvres avec ressort	Guarnizione anello albero	1
11	02S2-03015-50	Seegerring	Seeger circlip ring	Anneau de retenue type Seeger	Anello tipo Seeger	1
12	05O1-00220-25	O-Ring 22x2,5 N70	O-ring	O-ring	Guarnizione OR	1
13	07F1-61203-12	Motorflansch 2BK 1/2"-40	Motor flange	Bride de moteur	Flangia motore	1
14	01I1-06035-00	Inbusschraube M6x35	Allen head screw	Vis à six pans creux	Vite ad esagono cavo	2
15	01I1-06055-00	Inbusschraube M6x55	Allen head screw	Vis à six pans creux	Vite ad esagono cavo	2
16	07S1-00502-12	Nippel NS 502-BSP-F	Nipple	Raccord mâle	Raccordo	1
16A	07S1-00802-12	Nippel FD Vat.1/2"	Nipple	Raccord mâle	Raccordo	1
17	20D1-BOSOF-00	Dichtsatz Gr. F	Sealing kit	Jeu de garnitures	Set di guarnizione	1



99MS-54565-01	976554	Vorschubmotor	Moteur d'avance	Feed advance motor	Motor d'avanzamento	pcs.
0001-54310-02	971180	Dichtung Vorschubmotor	Gasket, intake, engine	JOINT PAPIER MOTEUR AVANC	GUARNIZ.MOT.AVANZ.PENETRA	1
0002-54374-01	976402	Motorplatte OML Anbau	MotorPlate OML atthcmt	Plaque moteur OML	FLANGIA	1
0004-54046-01	971616	E-Nippel 3/8" NPT	E-nipple 3/8 NPT	MAMELON 3/8" DEPORTE	RACCORDO-E 3/8" DZ	2
0111-06020-11	971710	Inbus-Schraube M6x20 12.9	Al. head screw M6x20 12.9	Vis CHC M6x20 12.9	VITE BRUGOLA M6X20 12,9	4
0112-05012-00	971804	Inb-Schr.nied.KopfM 5x 12	allen screw flhd M 5x 12	Inb-Schr.nied.KopfM 5x 12	VITE M 5x 12	4
07M5-00006-32	976442	Hydraulikmotor OML 32	Hydraulic motor OML 32	Moteur hydraulique OML 32	MOTORE 32 OML	1
07S1-00371-38	979703	FF Kupplung 3/8 Zoll	Coupling 3/8	FF COUPLEUR 3/8	"RACCORDO BRUNING FEMM. 3/8	1
07S1-00372-38	979707	Nippel 3/8 Zoll	Nipple 3/9	Coupleur 3/8"	RACCORDO BRUNING MASCH.3/8	1

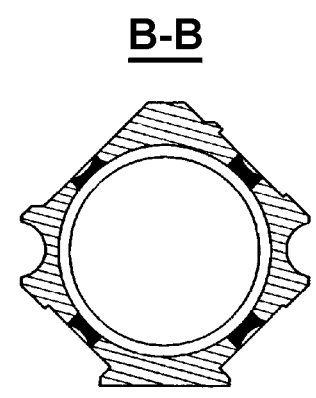
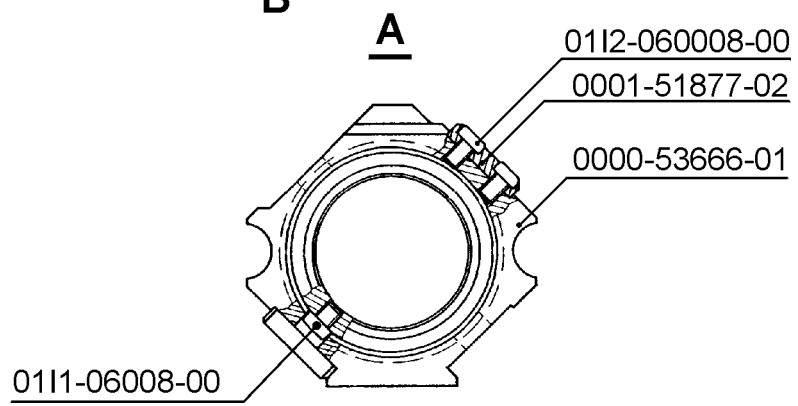
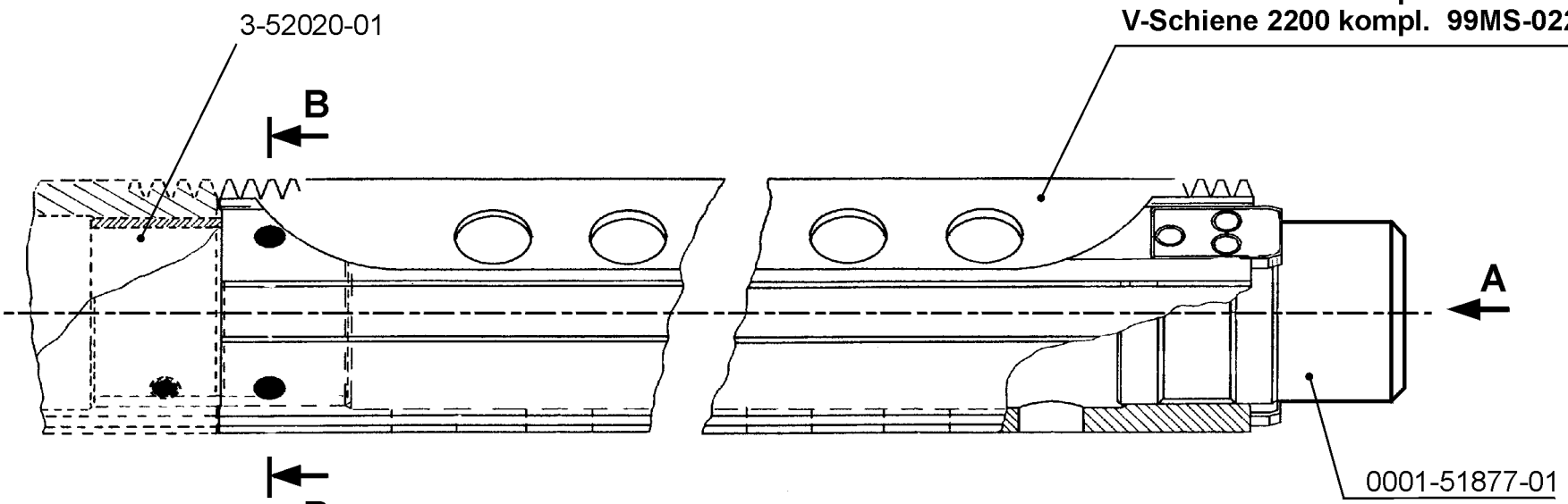


Schnitt A-A



99MS-53675-01	974478	V-Schienenbock	V-track base	Sabot de fixation pour rail an V	Supporto die binari V	pcs.
99MS-53479-01	974476	Befestigungsklotz kpl.	Fixing block,cpl.	ENSEMBLE DE SERRAGE SABOT	VITE E FARFALLA COMPL N.S	1
0000-60022-36	961749	Führungsbüchse rostf.	Guide bushing staninless	Führungsbüchse rostf.	Führungsbüchse rostf.	1
0000-60022-37	961750	Hutmutter rostf.	Hutmutter rostf.	Ecrou borgne inox	DADO A CAPPELLO PIED. BIN	1
0000-60022-38	961751	Fuss rostf.	Fuss rostf.	Fuss rostf.	SUPPORTO PERNO PIED. AZ/S	1
0000-60022-39	961752	Spindelmutter rostf.	Spindelmutter rostf.	Spindelmutter rostf.	DADO DEL PERNO PIEDINO AZ	1
0000-60022-41	961753	Distanzring rostf.	Distanzring rostf.	Distanzring rostf.	Distanzring rostf.	1
0000-60022-54	968691	Zeiger Schienenbock	pointer for track foot	Aiguille sabot	ASTA CENTR.PIED.BIN.ALU	1
0000-60022-59	965449	Schienenbock (Stahlguss)	Schienenbock (Stahlguss)	Schienenbock (Stahlguss)	Schienenbock (Stahlguss)	1
0000-60060-50	978114	Mutter	nut M12 with seeger ring	Mutter	DADO FARFALLA SUPP.BIN.N.	1
0001-53478-05	974729	Klemmbride	Clamping strap	BRIDE DE SERRAGE SABOTS E	GANASCIA FISS. BIN. PIEDI	1
0001-53479-01	970969	Spannklotz	Tensioning block	BLOC TENDEUR SABOT " V	"FARFALLA VITE PIED. BINAR	1
0001-53479-05	970974	Spindel	Shaft	AXE DE REGLAGE DE SABOTS	PERNO FILET. REG. PIEDINO	1
0001-54417-02	975897	Zeigerbüchse	pointer bush	Zeigerbüchse	Zeigerbüchse	1
0003-54404-01	975931	Schnappfeder Befestigung	Catchspring fastening	Schnappfeder Befestigung	MOLLA BLOCCO FARF.SUPPORT	1
01G7-06012-00	971660	Gewindestift M 6x12	Set screw M 6 x 12	Clavette M6x12	GRANO M 6x12	1
01I1-06016-00	971705	Inbus-Schraube M 6x 16	Socket screw M 6x 16	Vis CHC M6x16	VITE BRUGOLA M6X16	1
01S1-12065-00	971921	6kt-Schraube M12x65	Hexagonal screw M12x65	Vis 6 pans M12x65	VITE M12x65 PIEDINO B4-B6	1
01S1-12130-00	971931	6kt-Schraube M12x130mm	hex.-screw M12x130mm	VIS H M12x130	VITE M 12 X 130 T.E.	1
01S1-16040-00	971938	6kt-Schraube M16x40	hex.-screw M16x40	6kt-Schraube M16x40	VITE M16 X 40 PIEDINO BIN	1
01U6-06016-50	975949	U-Scheibe Dm 6.4/16x0.8	washer dia 6.4/16x0.8	U-Scheibe Dm 6.4/16x0.8	RONDELLA Dm 6.4/16x0.8	1
02S6-01511-50	979387	Seegerring 15V-Welle	seeger ring 15V-shaft	Seegerring 15V-Welle	SEEGER DADO FARFALLA SUPP	1
03D1-22055-00	979424	Druckfeder Dm 29.0x4.0	comp. spring dia 29.0x4.0	RESSORT 29.0x4.0	MOLLA NUOVO SUPPORTO	1
03T1-01710-07	969364	Tellerfeder Dm17/10/0.7	disk spring dia17/10/0.7	Tellerfeder Dm17/10/0.7	Tellerfeder Dm17/10/0.7	2
06S2-04010-01	972462	Schmiernippel D1 M8	Lubricating nipple	GRAISSEUR D1 M8	VALVOLA INGR. PIED. HCCB	1
7777-VERPA-11	980467	Verpackung V-Schienenbock	packaging V-track-foot	Verpackung V-Schienenbock	VERPACKUNG V-Schienenbock	1

- V-Schiene 700 kompl. 99MS-00700-11
- V-Schiene 1100 kompl. 99MS-01100-11
- V-Schiene 1400 kompl. 99MS-01400-11
- V-Schiene 1800 kompl. 99MS-01800-11
- V-Schiene 2200 kompl. 99MS-02200-11



		VS-Schiene kpl.	VS-track compl.	Rail en VS complet	Binario VS compl.
99MS-00700-11	974398	V-Schiene VS kpl. 700	V-track VS compl. 700	Rail en VS complet 700	Binario VS compl. 700
99MS-01100-11	974400	V-Schiene VS kpl. 1100	V-track VS compl. 1100	Rail en VS complet 1100	Binario VS compl. 1100
99MS-01400-11	974402	V-Schiene VS kpl. 1400	V-track VS compl. 1400	Rail en VS complet 1400	Binario VS compl. 1400
99MS-01800-11	974404	V-Schiene VS kpl. 1800	V-track VS compl. 1800	Rail en VS complet 1800	Binario VS compl. 1800
99MS-02200-11	974406	V-Schiene VS kpl. 2200	V-track VS compl. 2200	Rail en VS complet 2200	Binario VS compl. 2200

03D1-22055-00

0000-60022-99

0000-60022-55

0000-60022-37

01S1-12040-00

0000-60022-98

01S1-12070-00

99MS-53479-01

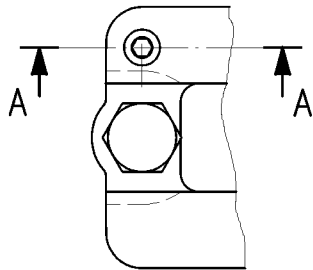
01S1-12090-00

0000-60022-76

0000-60022-98

Loctite 270

Loctite 270



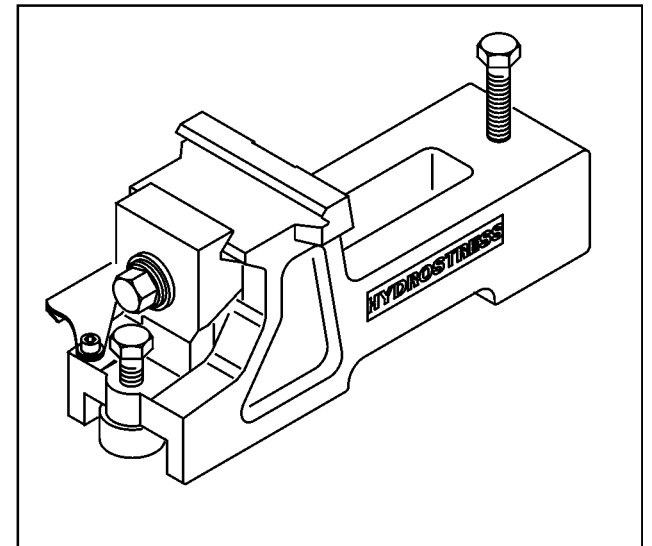
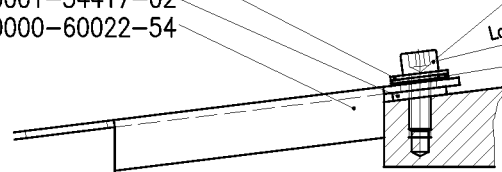
Schnitt A-A

Anziehen bis Schraube
plan aufliegt!

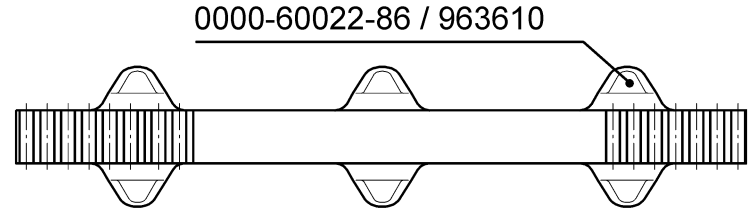
01U6-06016-50
0001-54417-02
0000-60022-54

Loctite 542

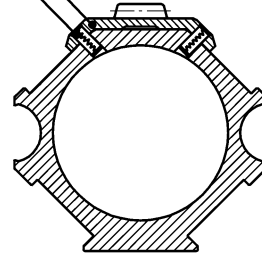
01I1-06016-00
03T1-01710-07



99MS-60022-77	965987	V-Schienenbock Alu flach	V-track base	Sabot de fixation pour rail an V	Supporto die binari V	pcs.
99MS-53479-01	974476	Befestigungsklotz kpl.	Fixing block,cpl.	ENSEMBLE DE SERRAGE SABOT	VITE E FARFALLA COMPL N.S	1
0000-60022-37	961750	Hutmutter rostf.	Hut nut stainless steel	Ecrou borgne inox	DADO A CAPPELLO PIED. BIN	1
0000-60022-54	968691	Zeiger Schienenbock	pointer for track foot	Aiguille sabot	ASTA CENTR.PIED.BIN.ALU	1
0000-60022-55	969447	Klemmscheibe	Clamp Disk	Klemmscheibe	RONDELLA SUPPORTO ALU	1
0000-60022-76	965778	Schienenbock ALU flach	Schienenbock	Schienenbock	Schienenbock	1
0000-60022-98	960837	Fuss	Fuss	Pied	PIEDINO A DADO	2
0000-60022-99	962806	Klemmbride Alu	Klemmbride Alu	Klemmbride Alu	GANASCIA PIEDINO ALU	1
0000-60060-50	978114	Mutter	nut M12 with seeger ring	Mutter	DADO FARFALLA SUPP.BIN.N.	1
0001-53479-01	970969	Spannklotz	Tensioning block	BLOC TENDEUR SABOT " V	"FARFALLA VITE PIED. BINAR	1
0001-54417-02	975897	Zeigerbüchse	pointer bush	Zeigerbüchse	Zeigerbüchse	1
0003-54404-01	975931	Schnappfeder Befestigung	Catchspring fastening	Schnappfeder Befestigung	MOLLA BLOCCO FARF.SUPPORT	1
01I1-06016-00	971705	Inbus-Schraube M 6x 16	Socket screw M 6x 16	Vis CHC M6x16	VITE BRUGOLA M6X16	1
01S1-12040-00	979337	6kt-Schraube M12x40	hex.-screw M12x40	6kt-Schraube M12x40	VITE M12X40	1
01S1-12070-00	971922	6kt-Schraube M12x70	hex.-screw M12x70	Vis CHC M12x70	VITE M12x70	1
01S1-12090-00	971925	6kt-Schraube M12x90	hex.-screw M12x90	VIS H M12X90	6kt-Schraube M12x90	1
01S1-12130-00	971931	6kt-Schraube M12x130mm	hex.-screw M12x130mm	VIS H M12x130	VITE M 12 X 130 T.E.	1
01U6-06016-50	975949	U-Scheibe Dm 6.4/16x0.8	washer dia 6.4/16x0.8	U-Scheibe Dm 6.4/16x0.8	RONDELLA Dm 6.4/16x0.8	1
02S6-01511-50	979387	Seegerring 15V-Welle	seeger ring 15V-shaft	Seegerring 15V-Welle	SEEGER DADO FARFALLA SUPP	1
03D1-22055-00	979424	Druckfeder Dm 29.0x4.0	comp. spring dia 29.0x4.0	RESSORT 29.0x4.0	MOLLA NUOVO SUPPORTO	1
03T1-01710-07	969364	Tellerfeder Dm17/10/0.7	disk spring dia17/10/0.7	Tellerfeder Dm17/10/0.7	Tellerfeder Dm17/10/0.7	2
7777-VERPA-VE	980479	El.-Vorschub Verpackung	El.-feed packaging	El.-Vorschub Verpackung	El.-Vorschub Verpackung	1

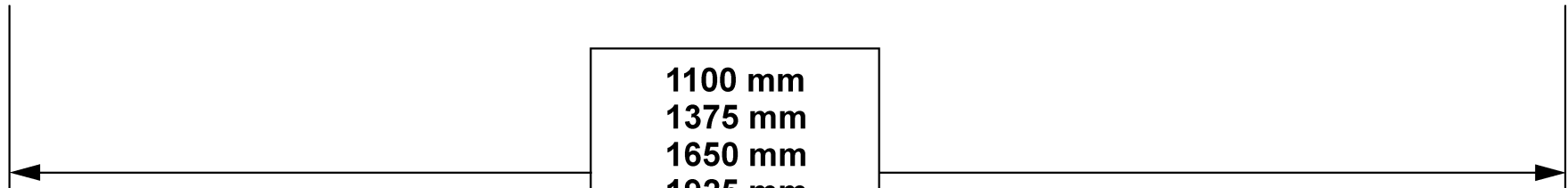
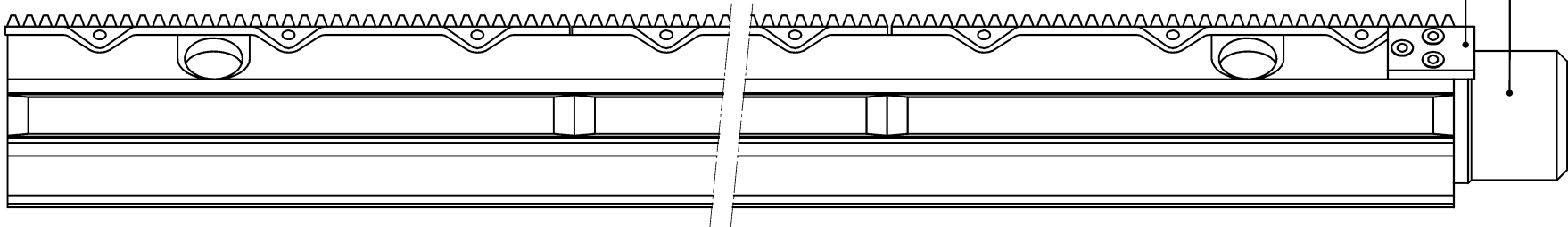


03R1-05012-00 / 972091



0000-60022-88 / 963612

0000-60022-94 / 963614



1100 mm
1375 mm
1650 mm
1925 mm
2200 mm
3300 mm

99MS-01100-VAS	984536
99MS-01375-VAS	984719
99MS-01650-VAS	984720
99MS-01925-VAS	984546
99MS-02200-VAS	984537
99MS-03300-VAS	999557

VAS-Schiene kpl.

V-Schiene VAS kpl. 1100
V-Schiene VAS kpl. 1375
V-Schiene VAS kpl. 1650
V-Schiene VAS kpl. 1925
V-Schiene VAS kpl. 2200
V-Schiene VAS kpl. 3300

VAS-track compl.

V-track VAS compl. 1100
V-track VAS compl. 1375
V-track VAS compl. 1650
V-track VAS compl. 1925
V-track VAS compl. 2200
V-track VAS compl. 3300

Rail en VAS complet

Rail en VAS complet 1100
Rail en VAS complet 1375
Rail en VAS complet 1650
Rail en VAS complet 1925
Rail en VAS complet 2200
Rail en VAS complet 3300

Binario VAS compl.

Binario VAS compl. 1100
Binario VAS compl. 1375
Binario VAS compl. 1650
Binario VAS compl. 1925
Binario VAS compl. 2200
Binario VAS compl. 3300