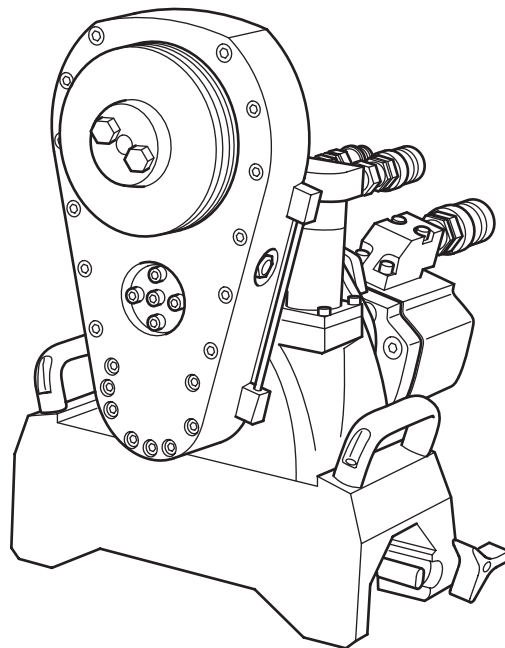


Operating Instructions

Wall saw FZ-4S

Index 002



Congratulations!

With a Hydrostress unit from TYROLIT, you have chosen a tried and tested piece of equipment which has been designed and built to leading technical standards. Only genuine TYROLIT Hydrostress replacement parts can guarantee quality and interchangeability. We are unable to fulfil our warranty obligations if maintenance work is neglected or carried out unprofessionally. Any repair work must be carried out by trained personnel only.

Our aftersales service is available to help ensure that your TYROLIT Hydrostress units remain in perfect working order.

We hope that you enjoy untroubled and fault-free working with your TYROLIT unit.

TYROLIT Hydrostress

Copyright © TYROLIT Hydrostress

TYROLIT Hydrostress AG
Witzbergstrasse 18
CH-8330 Pfäffikon
Switzerland
Tel. 0041 (0) 44 952 18 18
Fax 0041 (0) 44 952 18 00

1 Safety



These instructions are just one part of the documentation which is supplied together with the wall saw. These instructions go together with the «Safety Manual / System Description for Wall Saws» to form a complete set of documentation.



DANGER

Failure to comply with the safety instructions in the «Safety Manual / System Manual» may result in serious injury or even death.

- ▶ Please ensure that the «Safety Manual / System Description for Wall Saws» has been read and understood in full.



DANGER

Cuts from the saw blade.

- ▶ Always wear protective gloves when working on the wall saw, particularly when working on the saw blade.
- ▶ Always use the blade guard when operating the wall saw.



DANGER

Serious injury or material damage as a result of uncontrolled movements of the wall saw.

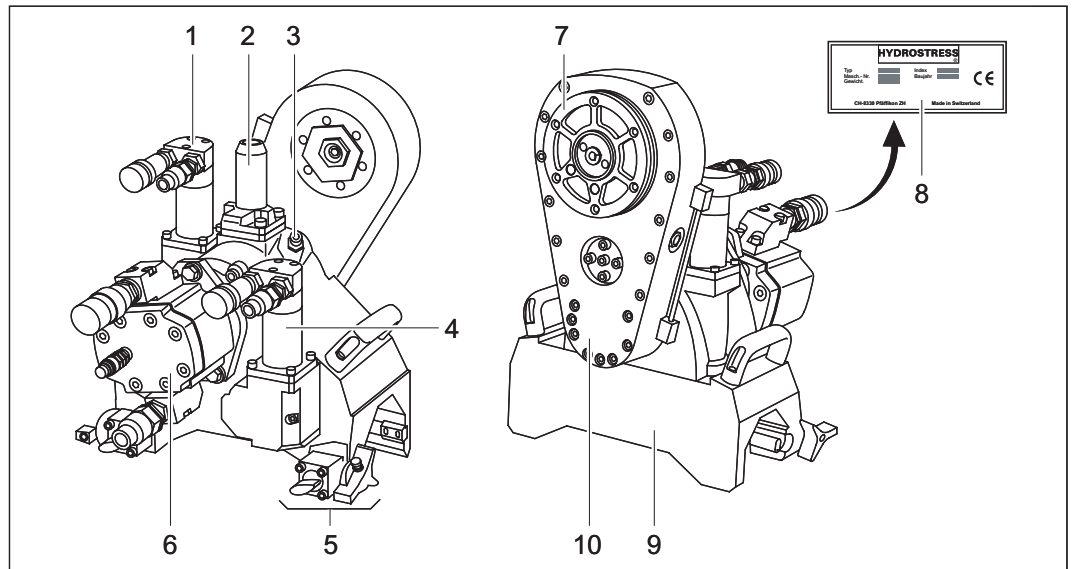
- ▶ Never connect or disconnect hoses while the drive unit is running.

2 Description

2.1 Wall saw system

The layout and functions of the wall saw systems are described in the «Safety Manual / System Description for Wall Saws».

2.2 Wall saw

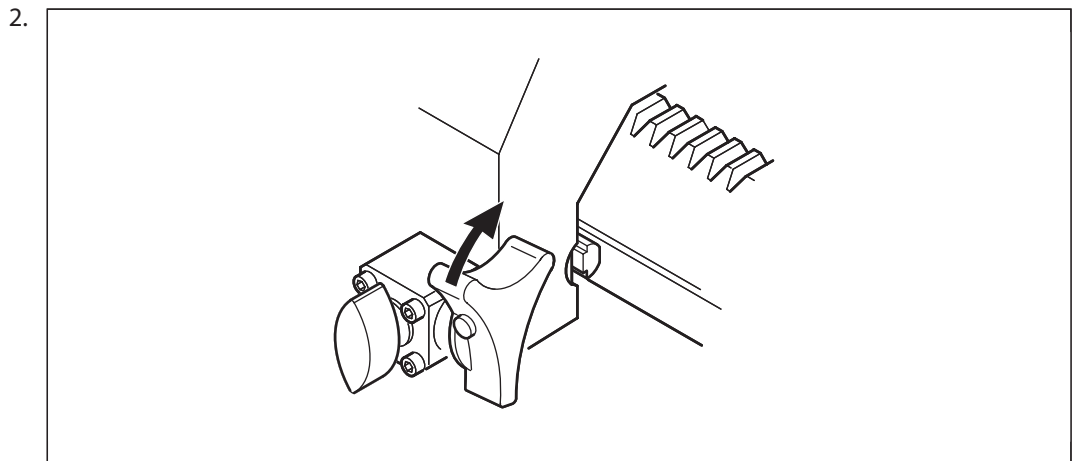
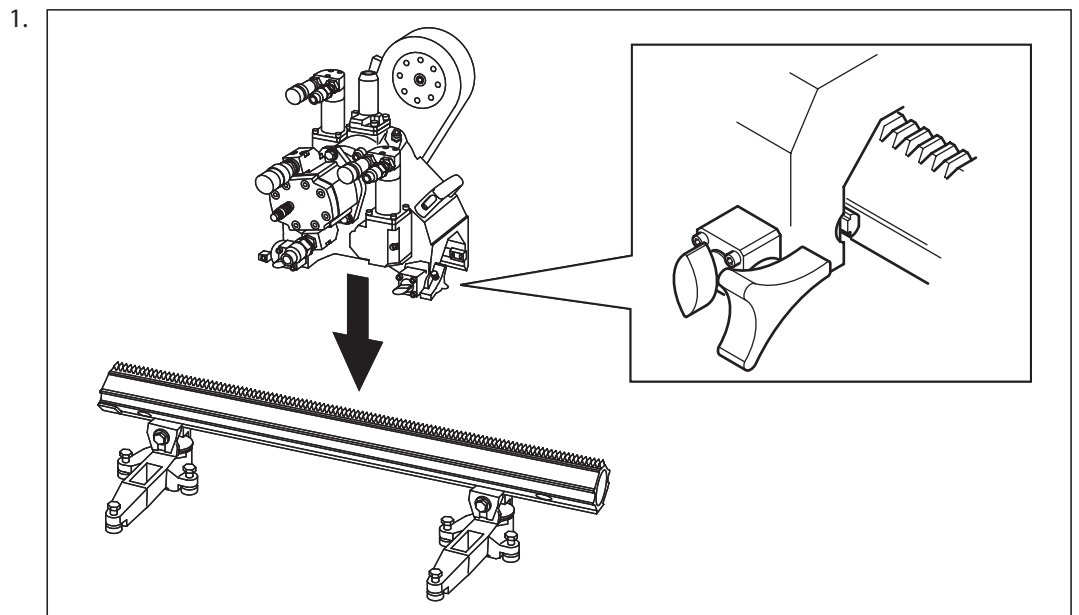


Components

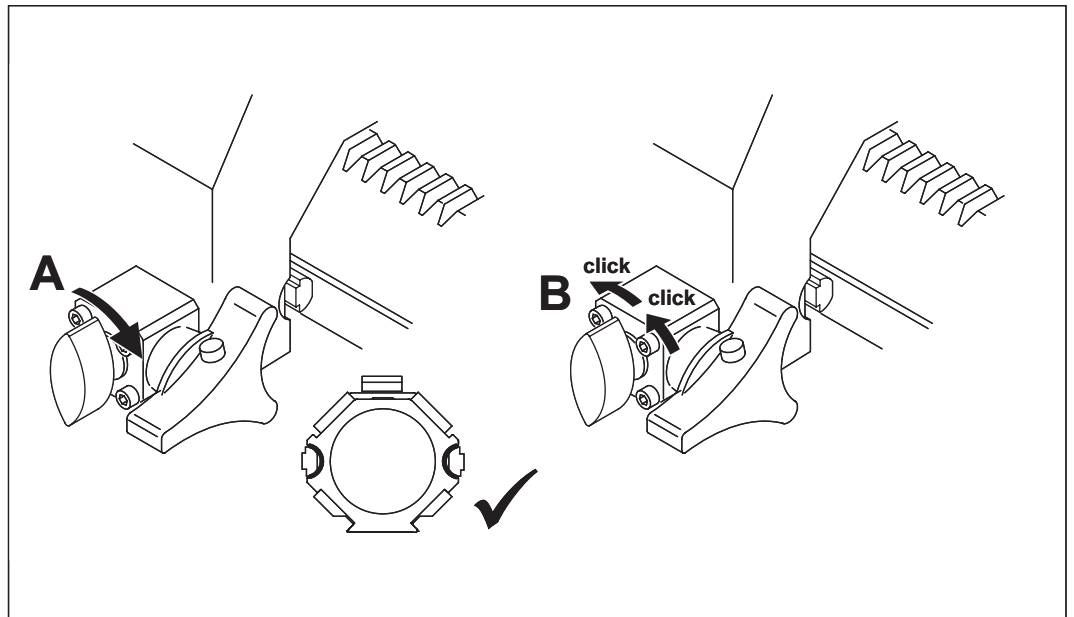
- | | |
|----------------------|----------------------|
| 1 Feed motor, swivel | 6 Blade drive motor |
| 2 Blade guard holder | 7 Saw blade holder |
| 3 Water connection | 8 Name plate |
| 4 Feed motor, travel | 9 Chassis |
| 5 Lock unit | 10 Geared swivel arm |

3 Assembly / disassembly

3.1 Place the wall saw on the guide rail

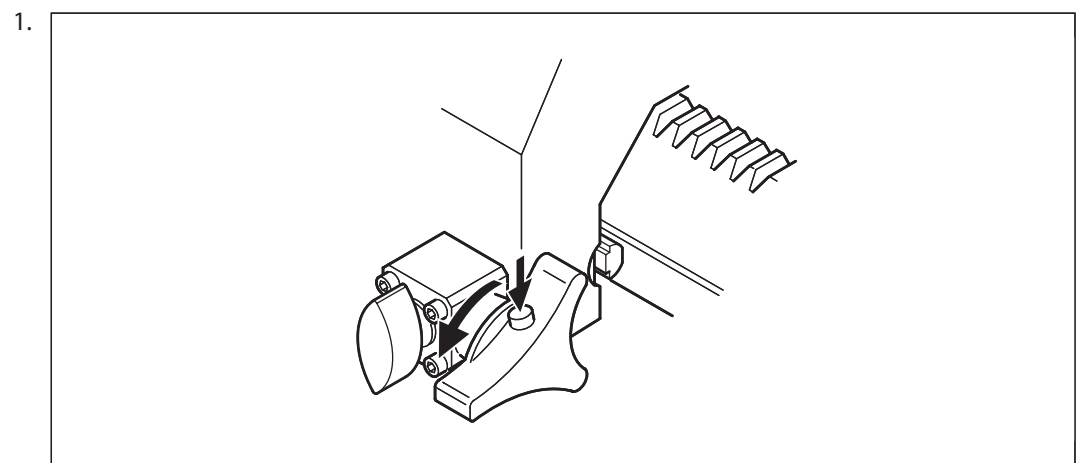


3.2 Adjustment of the closure



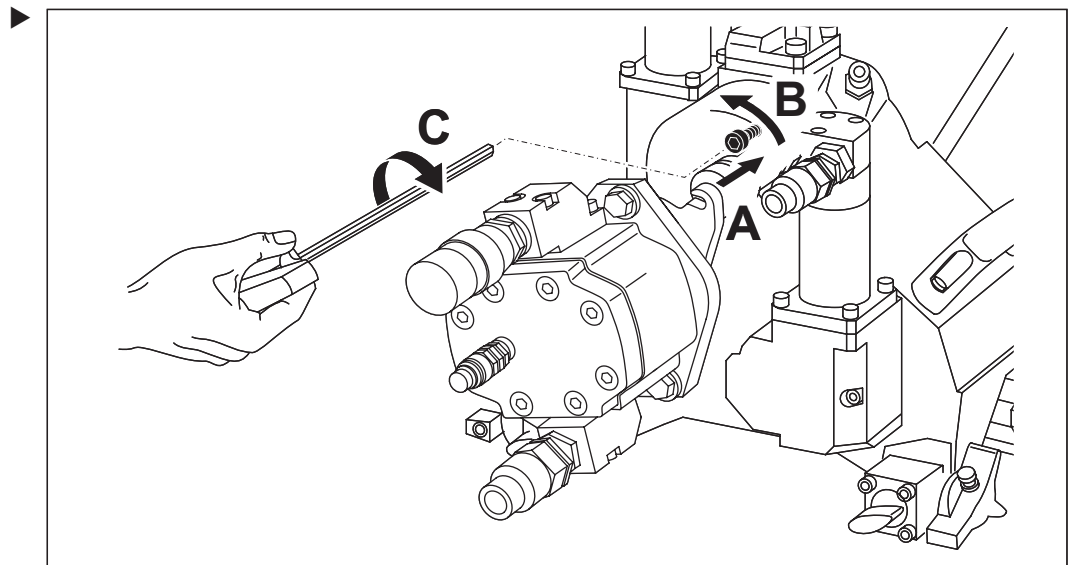
A: Rotate as far as the stop.
B: Rotate back two notch positions.

3.3 Release the closure



2. Perform the remaining assembly steps in reverse order.

3.4 Mount the drive motor



3.5 Mount the saw blade



DANGER

It can cause death or serious injury if the saw blade flies away.

- ▶ Only use original screws and bolts from TYROLIT Hydrostress AG.



DANGER

Serious injury can be caused by sudden start-up of the saw blade.

- ▶ Switch off the drive unit before working on the saw blade.
- ▶ Depressurize the hoses.

3.5.1 Preparations for assembly

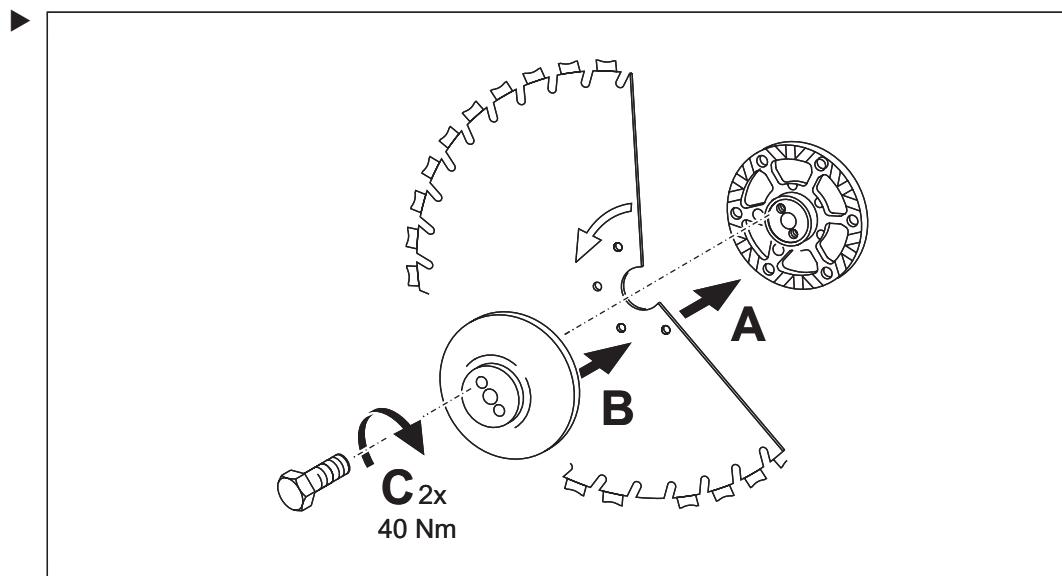
- ▶ During initial installation, remove the flush cut anchoring screws on the quick-release flange.

3.5.2 Preassemble the saw blade unit

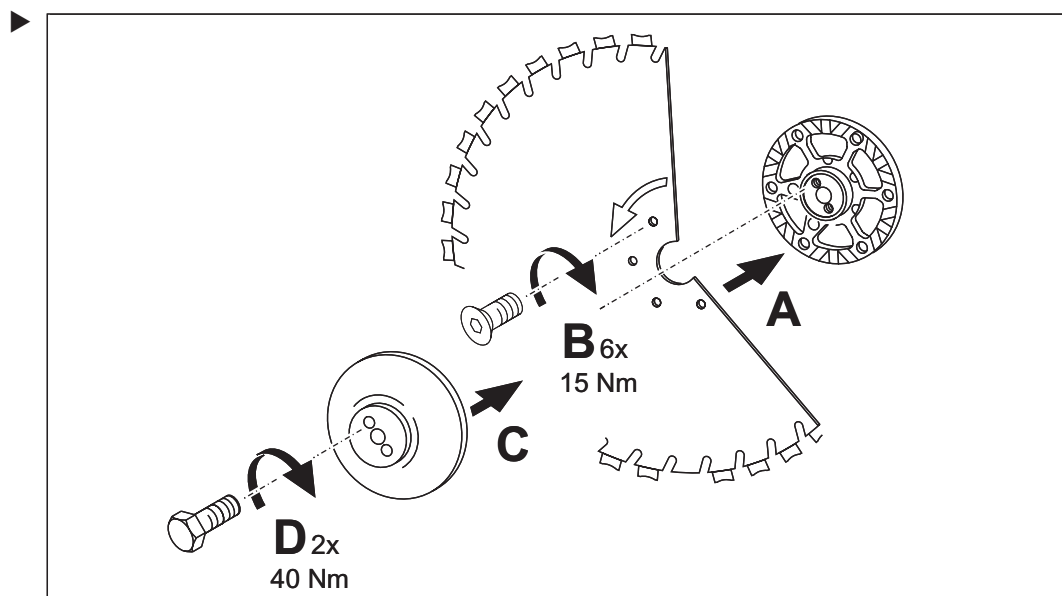


The direction of rotation of the saw blade must match the direction of rotation of the machine.
 Correct alignment: Countersinking of the fastening bores against the blade cover.

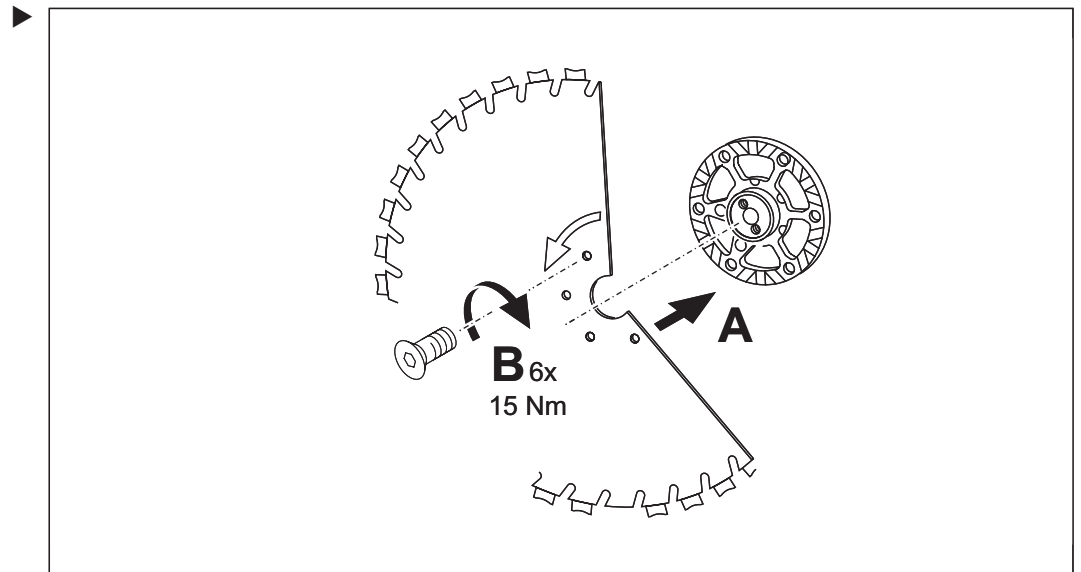
For normal cuts with saw blades up to Ø 1000 mm



For normal cuts with saw blades larger than Ø 1000 mm



For flush cuts



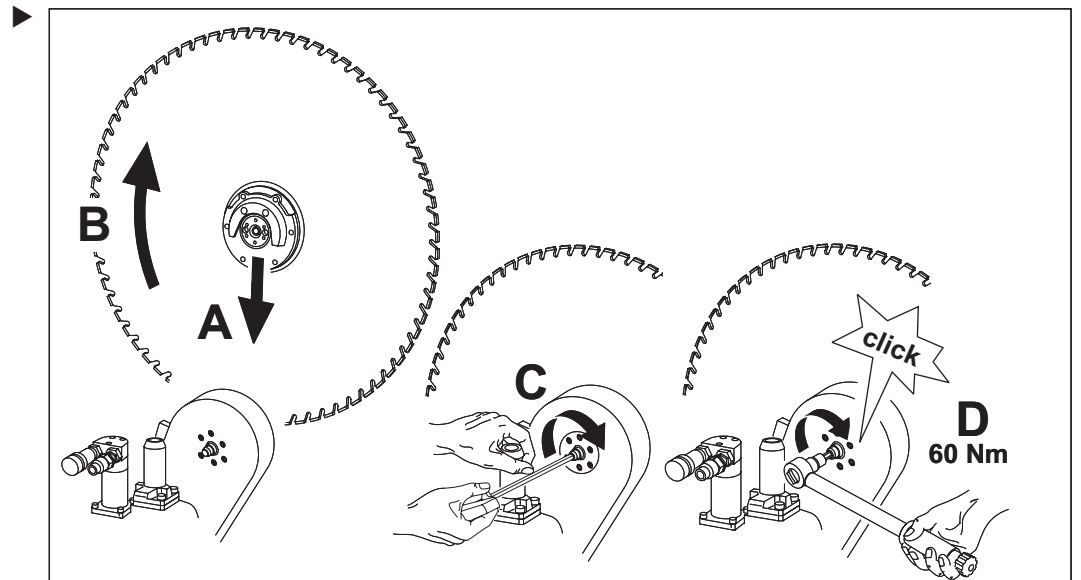
3.5.3 Fastening the saw blade unit



DANGER

It can cause death or serious injury if the saw blade flies away.

- ▶ Check whether the sleeve and central screw are countersunk.
- ▶ Tighten the central screw to a torque of 60 Nm.



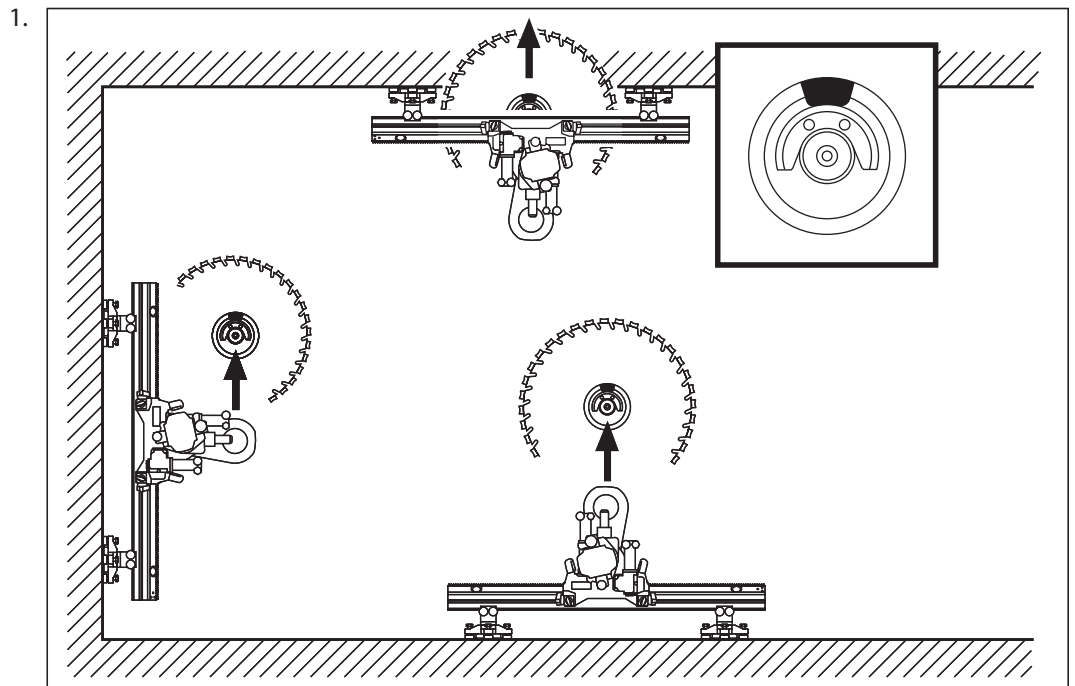
3.6 Disassembling saw blade unit



WARNING

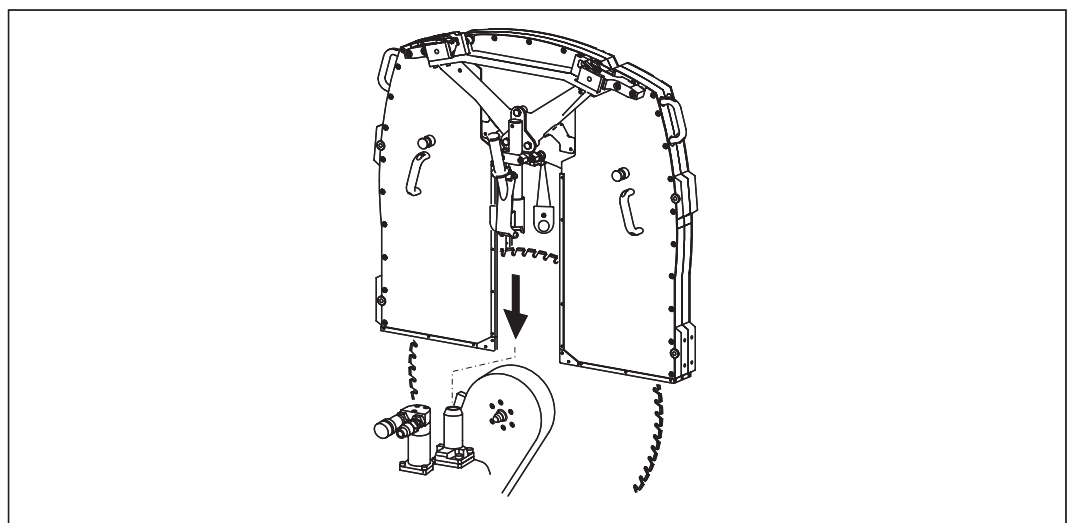
Injuries can be caused if the saw blade drops down.

► Lift out the saw blade unit to the top when removing it.



2. Disassemble the saw blade unit in the reverse order to the installation/assembly process.

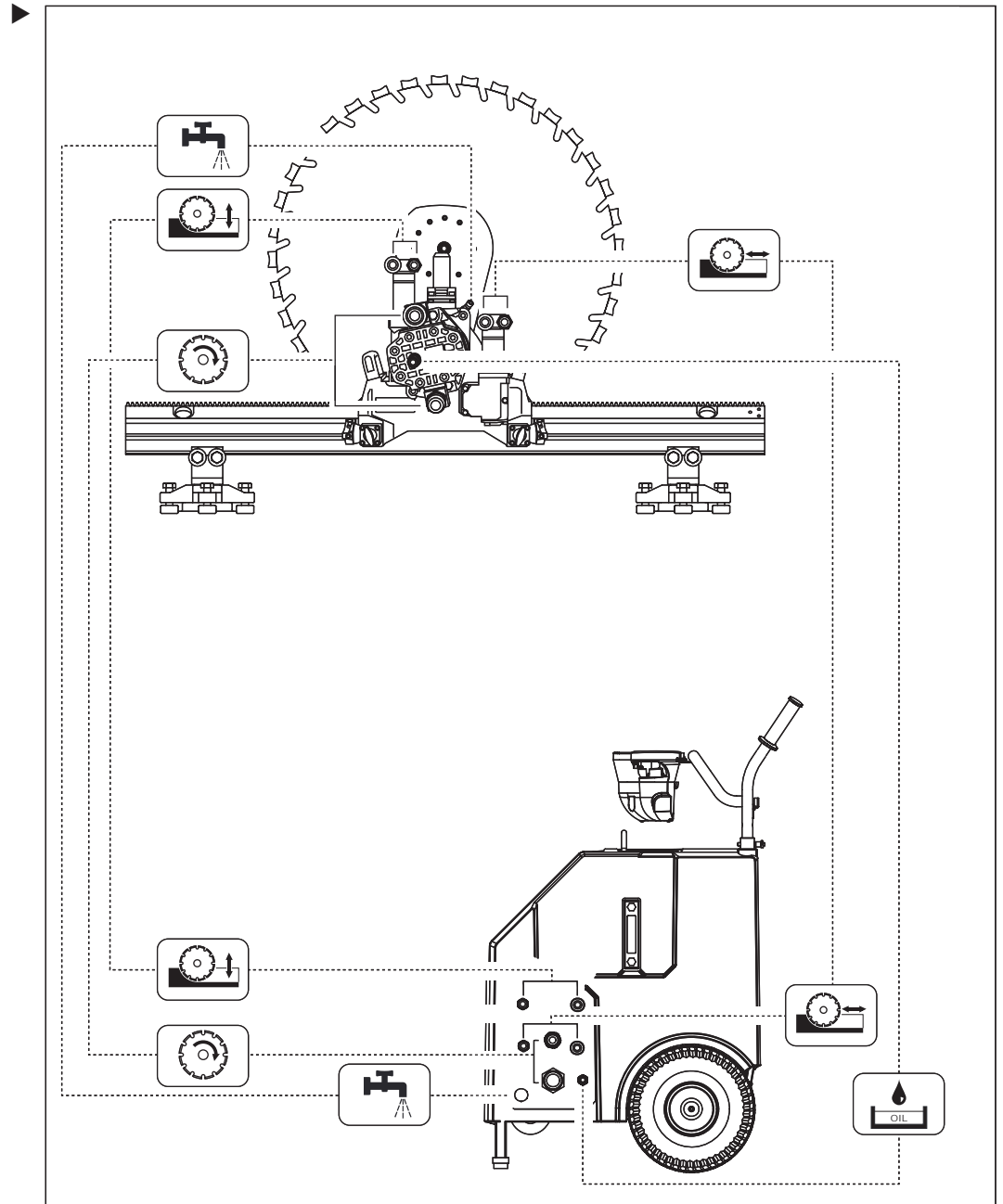
3.7 Mount the blade guard



► Mount the blade guard according to the instruction leaflet.

3.8 Connecting the wall saw to the drive unit

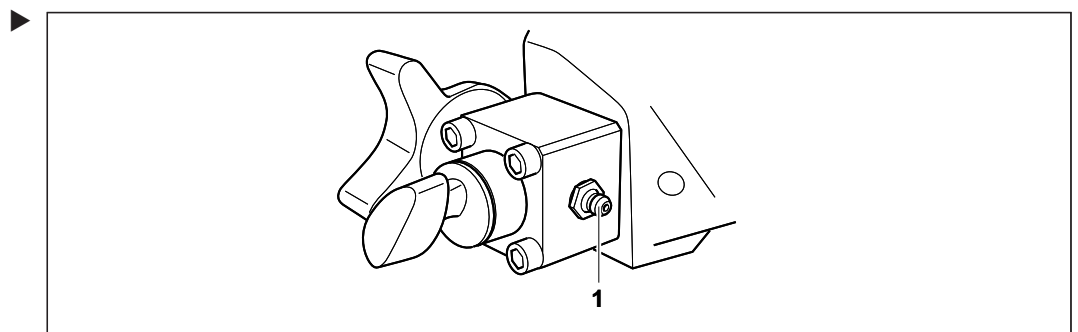
- ✓ The drive unit is isolated from the power supply.
- ✓ Couplings are clean.
- ✓ Hoses are undamaged.



4 Servicing and maintenance

Maintenance and servicing table		Before every commissioning	At end of work	Weekly	Yearly	After faults	After damage
Wall saw	▶ Retighten loose bolts, screws and nuts (refer to the tightening torque specifications)	X				X	X
Prism guides	▶ Check for wear			X			
	▶ Replace before the anchoring screws of the guide prisms touch the rail or the chassis touches the rail						X
Y-guides	▶ Apply 2-3 applications of grease to the lubricating nipples			X			
Swivel arm	▶ Clean with water		X				
	▶ Check the saw blade uptake for wear	X				X	X
	▶ Replace the gear oil	Every 50 h					
Feed motor	▶ Check cleanliness and leak-tightness	X	X			X	X
Drive motor	▶ Check cleanliness and leak-tightness	X	X			X	X
Water economy	▶ Check water line for cleanliness and leak-tightness	X				X	X
	▶ Blow out water		X				
Saw blade	▶ Clean with water		X				
	▶ Check for wear	X	X			X	X
Service	▶ To be performed by TYROLIT Hydrostress AG or an authorised workshop	After 100 / 300 / 500 / 700 hours					

4.1 Lubrication of the lock unit



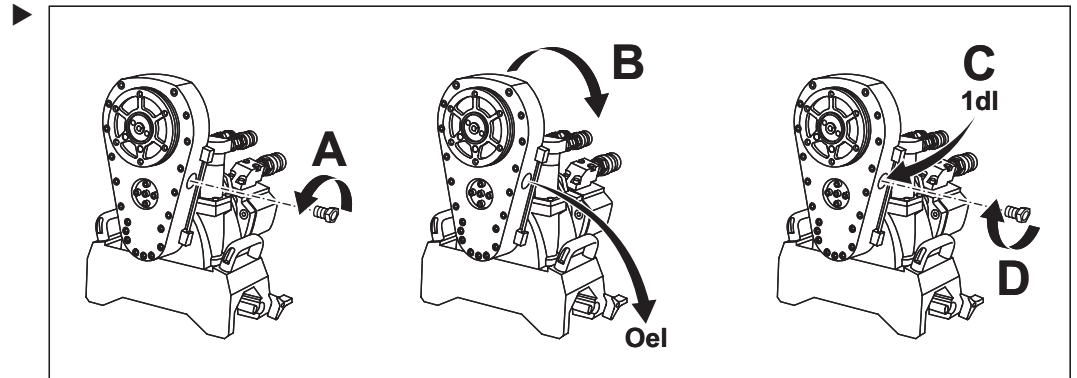
1 Grease nipple

4.2 Change gear oil



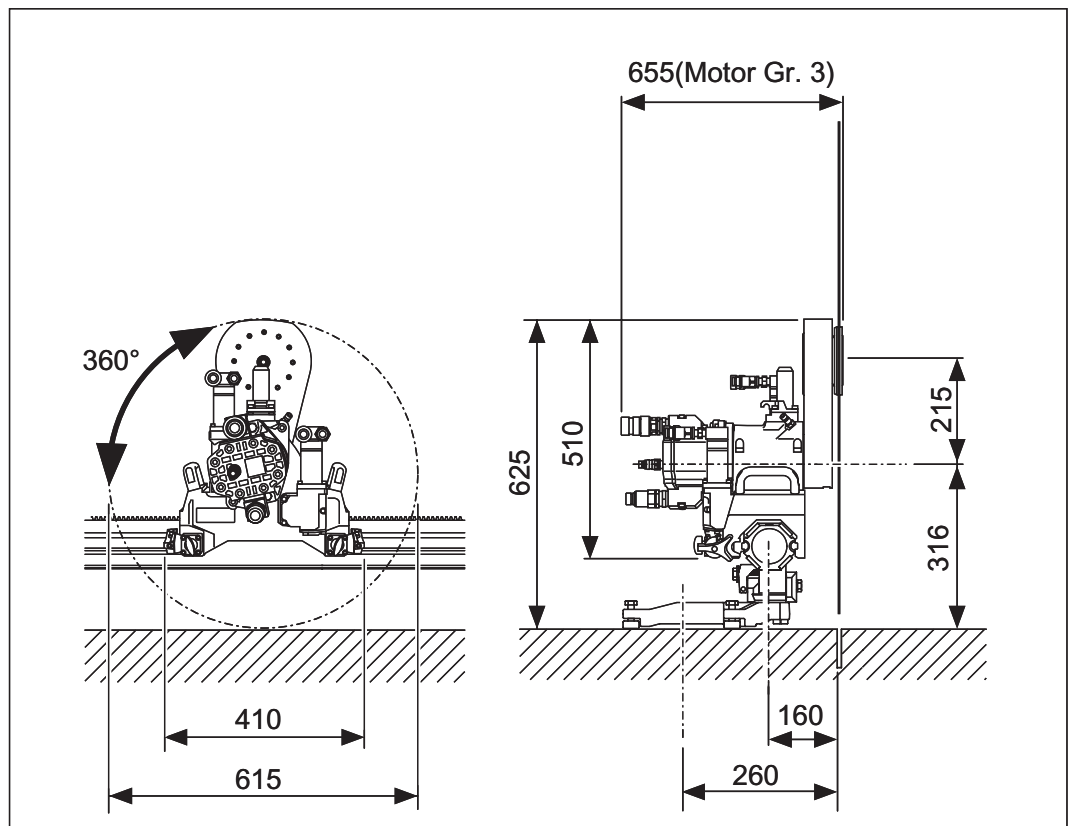
The use of unsuitable oil can damage the wall saw.

- ▶ Use only TYROLIT Hydrostress AG oil containers (no. 10981362, 10 cl).



5 Technical data

5.1 Dimensions



Measurements in mm

5.2 Design

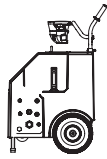
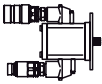
Design	
Parameter	Value
Construction	Cast aluminium/steel
Rotatable swivel arm	360°
Power transmission	Gear wheel
Blade drive transmission	1:3
Lock unit	Low-wearing, suitable for all VS rails
Rail mounting	Locking and securing function at the prism guide
Blade drive motor	Mounted via quick-release device (size 3)
Feed motor	Gerotor
Flush cutting	Quick-release flange ST without blade cover
Normal cutting:	Quick-release flange ST with blade cover
Water	Water connection on chassis

5.3 Weight


Weight	
Parameter	Value
Wall saw head, incl. feed motors and quick-release flange without blade drive motor	41 kg acc. to catalogue: 39 kg
Blade drive motor, size 3	7.75 kg

5.4 Blade drive motor

Blade drive motor	
Parameter	Value
Hydraulic motors	900 to 3500 rpm max.
Size	3
Absorption volume	20 to 50 cm ³
Transmission ratio	1:3
Operating pressure	max. 260 bar
Type	External geared motor

Rotational speeds, hydraulic motors for wall saws						
						
		cm ³ 20	cm ³ 25	cm ³ 31	cm ³ 40	cm ³ 50
l/min	45	2250	1800	1452	1125	900
l/min	50	2500	2000	1613	1250	1000
l/min	60	3000	2400	1935	1500	1200
l/min	65	3250	2600	2097	1625	1300
l/min	70	3500	2800	2258	1750	1400
l/min	75	3750	3000	2419	1875	1500
l/min	80	4000	3200	2581	2000	1600
l/min	90	4500	3600	2903	2250	1800

 Operation possible

 Operation not possible

5.5 Feed motor, travel

Feed motor, travel	
Parameter	Value
Hydraulic motors	187 rpm
Type	Gerotor
Operating pressure	max. 120 bar
Output torque	50 Nm
Feed force	6000 N
Feed	Toothed wheel on rail

5.6 Feed motor, swivel

Feed motor, swivel	
Parameter	Value
Hydraulic motors	187 rpm
Type	Gerotor
Operating pressure	max. 120 bar
Output torque	50 Nm
Swivel range (swivel arm)	360°
Feed force	3000 N

5.7 Saw blades

Saw blades	
Parameter	Value
Saw blade max.	Ø 2200 mm
Fully detachable saw blade	Ø 1025 mm
Blade holder	Ø 60 mm
Blade flange mounting at wall saw	Quick-release flange ST
Saw blade fixing on blade flange	6 countersunk head screws reference circle 130 mm
Blade cover mounting on blade flange	2x 19 mm hexagon head screws
Blade flange Ø	60 mm

Saw blades		
Cutting depth	Ø 800 mm	300 mm
	Ø 1000 mm	400 mm
	Ø 1200 mm	500 mm
	Ø 1500 mm	650 mm
	Ø 1600 mm	700 mm
	Ø 1800 mm	800 mm
	Ø 2000 mm	900 mm
	Ø 2200 mm	1,000 mm

5.8 Lubricants, fluids and sealants

Lubricants, fluids and sealants		
Parameter		Value
Gear oil (swivel arm)		Klüber EG 4-150 (TYROLIT No. 10979011)
Lubricating grease (lock unit)	Penetration	265 to 295
	NLGI	2

5.9 Connectable drive units

The wall saw must only be operated with the coordinated drive units from TYROLIT Hydrostress.

Drive unit power requirements:	
Parameter	Value
Minimum output:	29 kW (max. operating pressure 260 bar)
Maximum performance	40 kW (max. operating pressure 260 bar)

Water connection	
Parameter	Value
Pressure	2 to 6 bar
Quantity	At least 6 l/min
Max. temperature	25 °C

EC Declaration of Conformity

Description	Wall saw
Type designation	FZ-4S
Year of construction	2002

We declare under our own liability that this product complies with the following directives and standards:

Directive applied

Machinery Directives 2006/42/EC

Standards applied

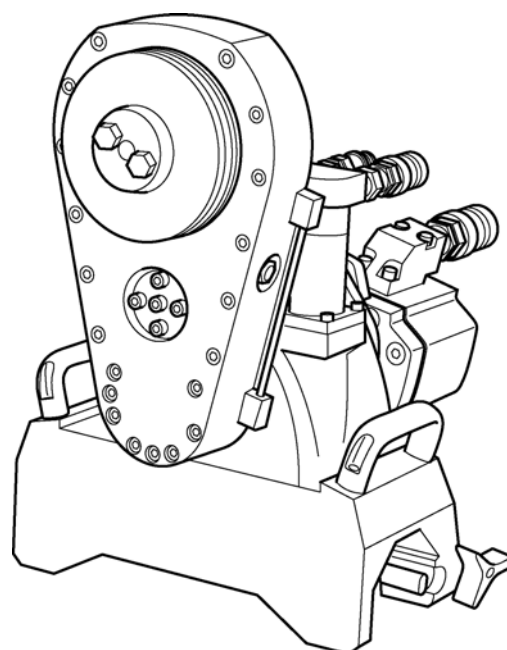
EN 12100-1	Safety of machines – Basic concepts, general design principles
EN 12100-2	
EN 294	Safety of machinery – Safety distances to prevent upper limbs reaching danger areas
EN 349	Safety of machinery – Safety distances to avoid crushing of body parts
EN 982	Safety of machinery – Safety requirements for safety systems and their components - hydraulics

Ersatzteilliste

Spare Parts List / Liste des pièces détachées / Lista delle parti di ricambio

Wandsäge FZ-4S

Index / Indice 002



Verwendung der Ersatzteilliste

Die Ersatzteilliste ist keine Montage- oder Demontageanleitung. Diese Ersatzteilliste dient ausschliesslich zum einfachen und schnellen Finden von Ersatzteilen, die bei der untenstehenden Adresse bestellt werden können.

Sicherheitsvorschrift



Gefahr

Montieren oder demontieren von Baugruppen kann Risiken bergen, auf die in dieser Ersatzteilliste nicht hingewiesen wird.

Das Verwenden dieser Ersatzteilliste für Montage- oder Demontagezwecke ist strikte verboten. Für Montage- und Demontearbeiten sind ausschliesslich die entsprechenden Beschreibungen in der Betriebsanleitung zu befolgen.

Nichtbeachten dieser Vorschrift kann zu Verletzungen führen, die im schlimmsten Fall auch den Tod zur Folge haben könnten.

Bestellungen



Information

Um Falschlieferungen zu vermeiden sollten vor der Versendung die Angaben in der Bestellung auf Richtigkeit und Vollständigkeit (siehe unter Bestellangaben) überprüft werden.

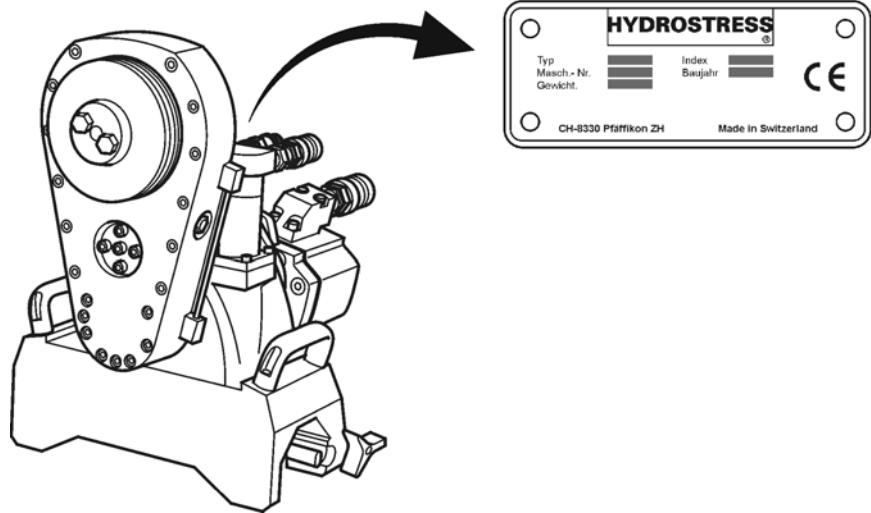
Es ist auch darauf zu achten, dass die Lieferadresse vollständig angegeben ist.

Bestelladresse:

TYROLIT Hydrostress AG
Witzbergstrasse 18
CH-8330 Pfäffikon
Switzerland
Telefon +41 (0) 44 / 952 18 18
Telefax+41 (0) 44 / 952 18 00
e-mail: info@tyrolit.com
www.tyrolit.com

0 Ersatzteilliste

0.1 Bestellangaben



Bei Bestellungen von Ersatzteilen benötigen wir folgende Angaben:

- Maschinentyp gemäss Typenschild (z.B. FZ-4S)
- Maschinennummer gemäss Typenschild (z.B. 20030000)
- Maschinenindex gemäss Typenschild (z.B. 002)
- Ersatzteilnummer gemäss Ersatzteilliste (z.B.10977902)

Für Bestellungen, Fragen und Informationen wenden Sie sich bitte an die zuständige Niederlassung.

How to use the spare parts list

The spare parts list is not intended as instructions for assembly or dismantling work. It is exclusively intended to help you to quickly and easily find spare parts, which can then be ordered at the address below.

Safety regulations



Danger

The assembling or dismantling of modules can involve risks which are not identified in this spare parts list.

The use of this spare parts list for assembly or dismantling purposes is strictly forbidden. For assembly or dismantling tasks it is essential to only follow the corresponding descriptions in the operating manual.

If this regulation is not heeded injuries may be incurred which in the worst case can also be fatal.

Ordering



Information

To avoid incorrect deliveries you should check the order details for correctness and completeness (see under ordering details) prior shipment.

You should ensure that the delivery address is given in full.

Order address:

TYROLIT Hydrostress AG

Witzbergstrasse 18

CH-8330 Pfäffikon

Switzerland

Tel.+41 (0) 44 / 952 18 18

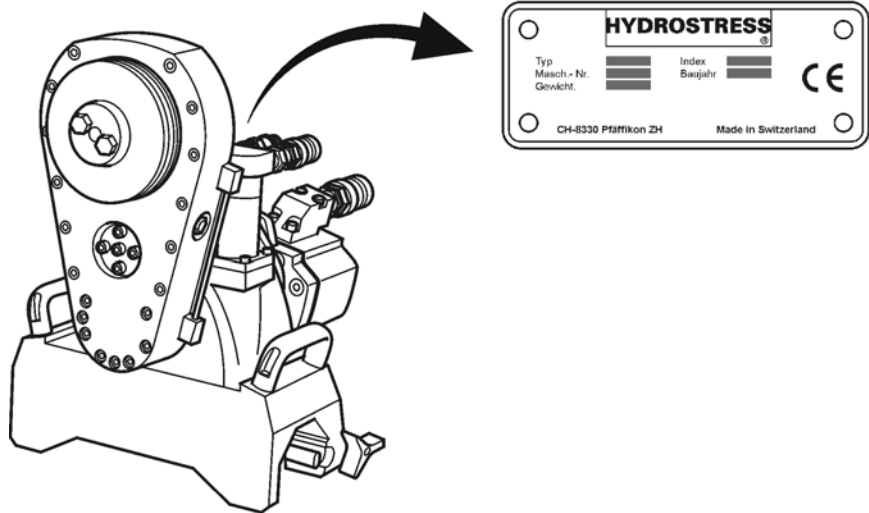
Fax +41 (0) 44 / 952 18 00

e-mail: info@tyrolit.com

www.tyrolit.com

0 Spare Parts List

0.1 Ordering details



When spare parts are ordered we need the following details:

- Machine type according to nameplate (e.g. FZ-4S)
- Machine number according to nameplate (e.g. 20030000)
- Machine index according to nameplate (e.g. 002)
- Spare part number according to the spare parts list (e.g. 10977902)

For orders, questions and information please contact your responsible branch office.

Utilisation de la liste des pièces détachées

La liste des pièces détachées n'est pas une instruction de montage ou de démontage. Cette liste sert exclusivement à trouver simplement et rapidement les pièces détachées, qui peuvent être commandées à l'adresse mentionnée ci-dessous.

Prescription de sécurité



Danger

Le montage ou le démontage des modules peut présenter des risques dont il n'est pas fait mention dans cette liste des pièces détachées.

Il est strictement interdit d'employer cette liste des pièces détachées à des fins de montage ou de démontage. Pour les opérations de montage et de démontage, il faut exclusivement suivre les descriptions correspondantes dans le mode d'emploi.

Le non-respect de la présente prescription peut conduire à des blessures, pouvant même entraîner la mort.

Commandes



Information

Pour éviter des livraisons inappropriées, il est conseillé de vérifier avant l'expédition l'exactitude et l'exhaustivité des indications fournies dans la commande (voir Données de commande).

Il faut aussi veiller à bien indiquer l'adresse de livraison en entier.

Adresse de commande :

TYROLIT Hydrostress AG

Witzbergstrasse 18

CH-8330 Pfäffikon

Suisse

Téléphone +41 (0) 44 / 952 18 18

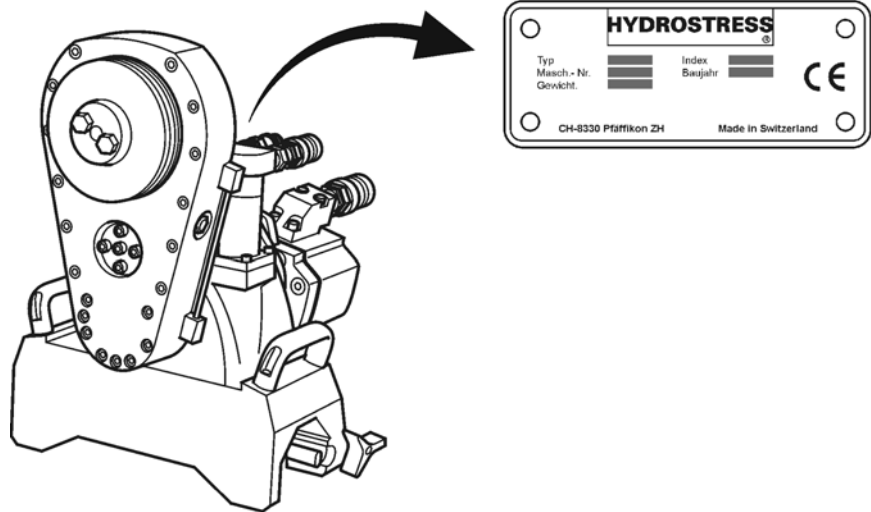
Télécopie +41 (0) 44 / 952 18 00

e-mail: info@tyrolit.com

www.tyrolit.com

0 Liste des pièces détachées

0.1 Données de commande



Lors de la commande de pièces détachées, nous avons besoin des données suivantes :

- Type de machine selon la plaque signalétique (p.ex. FZ-4S)
- Numéro de machine selon la plaque signalétique (p.ex. 20030000)
- Indice de machine selon la plaque signalétique (p.ex. 002)
- Numéro de pièce détachée selon la liste des pièces détachées (p.ex. 10977902)

Pour les commandes, questions et informations, vous êtes prié de vous adresser à la filiale compétente.

Uso della lista delle parti di ricambio

La lista delle parti di ricambio non è un manuale d'istruzioni per montaggio o smontaggio. Questa lista delle parti di ricambio serve esclusivamente per trovare in modo semplice e rapido parti di ricambio che possono essere ordinate all'indirizzo riportato qui sotto.

Norme di sicurezza



Pericolo

Il montaggio o lo smontaggio di componenti della macchina può comportare pericoli che non sono indicati in questa lista delle parti di ricambio.

E' assolutamente vietato servirsi di questa lista delle parti di ricambio per scopo di montaggio o di smontaggio. Per operazioni di montaggio o smontaggio occorre seguire esclusivamente le relative istruzioni nel manuale per l'uso della macchina.

La mancata osservanza di queste norme può comportare lesioni, e nel caso peggiore anche la morte.

Ordinazioni



Informazione

Per evitare forniture incorrette, occorre verificare prima dell'invio dell'ordinazione se i dati indicati in essa sono corretti e completi (vedere la lista dei dati per l'ordinazione).

Occorre verificare anche se l'indirizzo per la consegna è esatto e completo.

Indirizzo per ordinazioni:

TYROLIT Hydrostress AG

Witzbergstrasse 18

CH-8330 Pfäffikon

Svizzera

Tel. +41 (0) 44 / 952 18 18

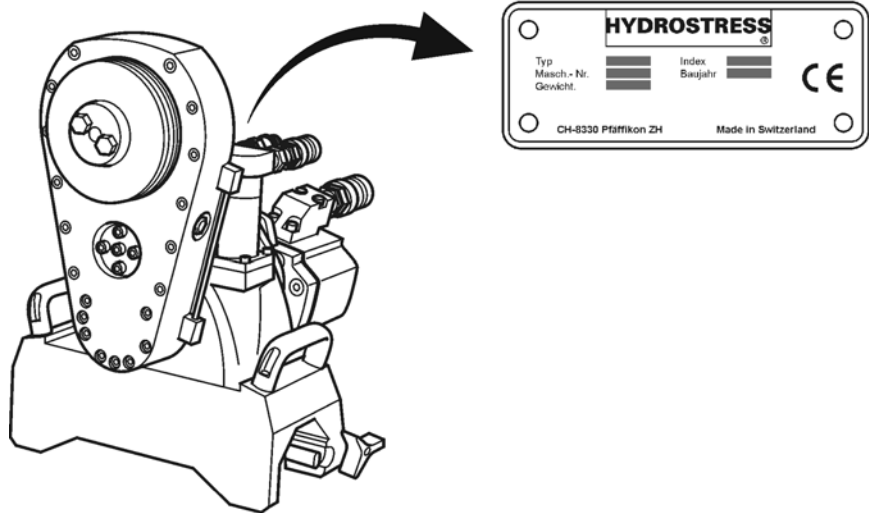
Fax +41 (0) 44 / 952 18 00

e-mail: info@tyrolit.com

www.tyrolit.com

0 Lista delle parti di ricambio

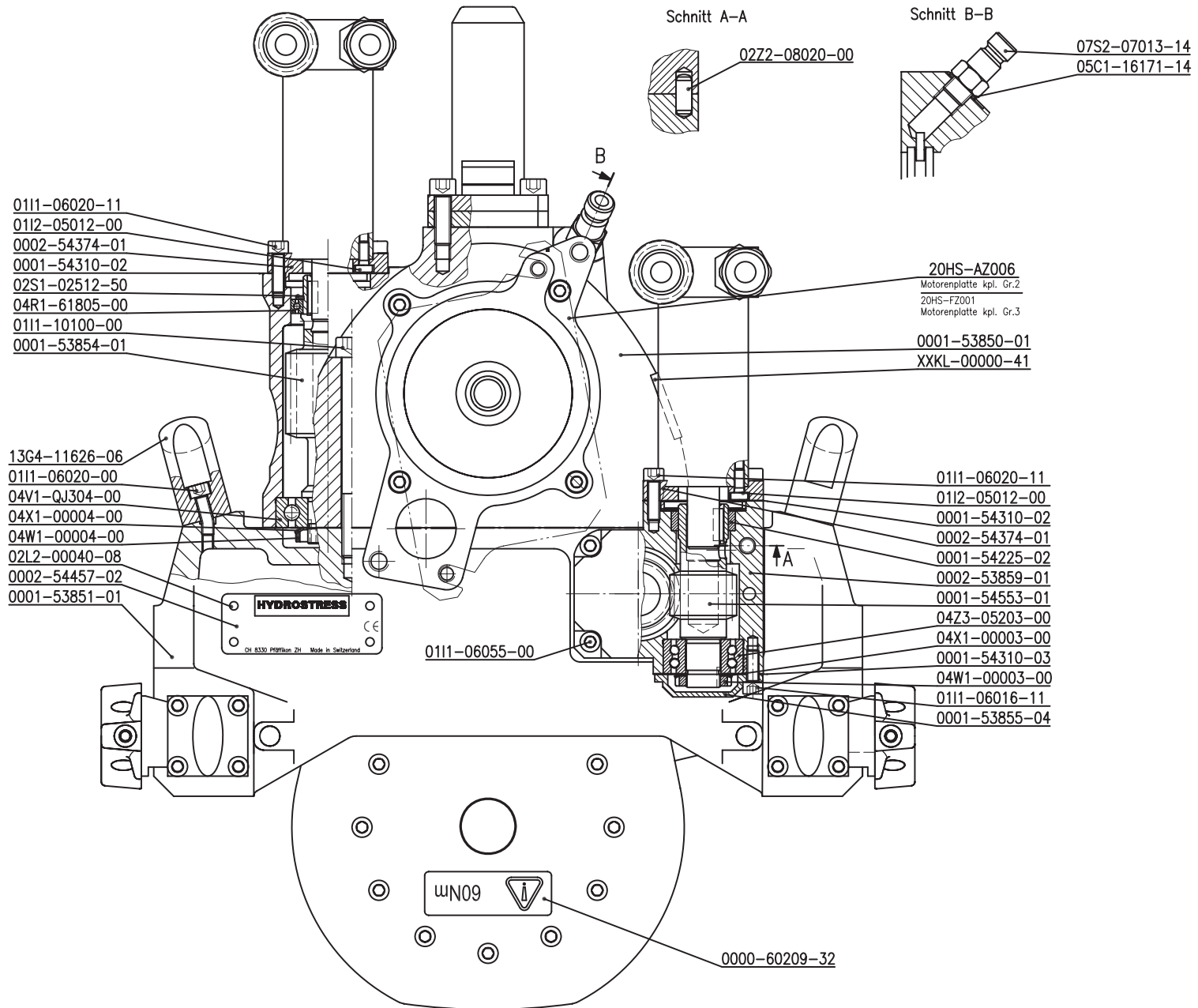
0.1 Dati per l'ordinazione

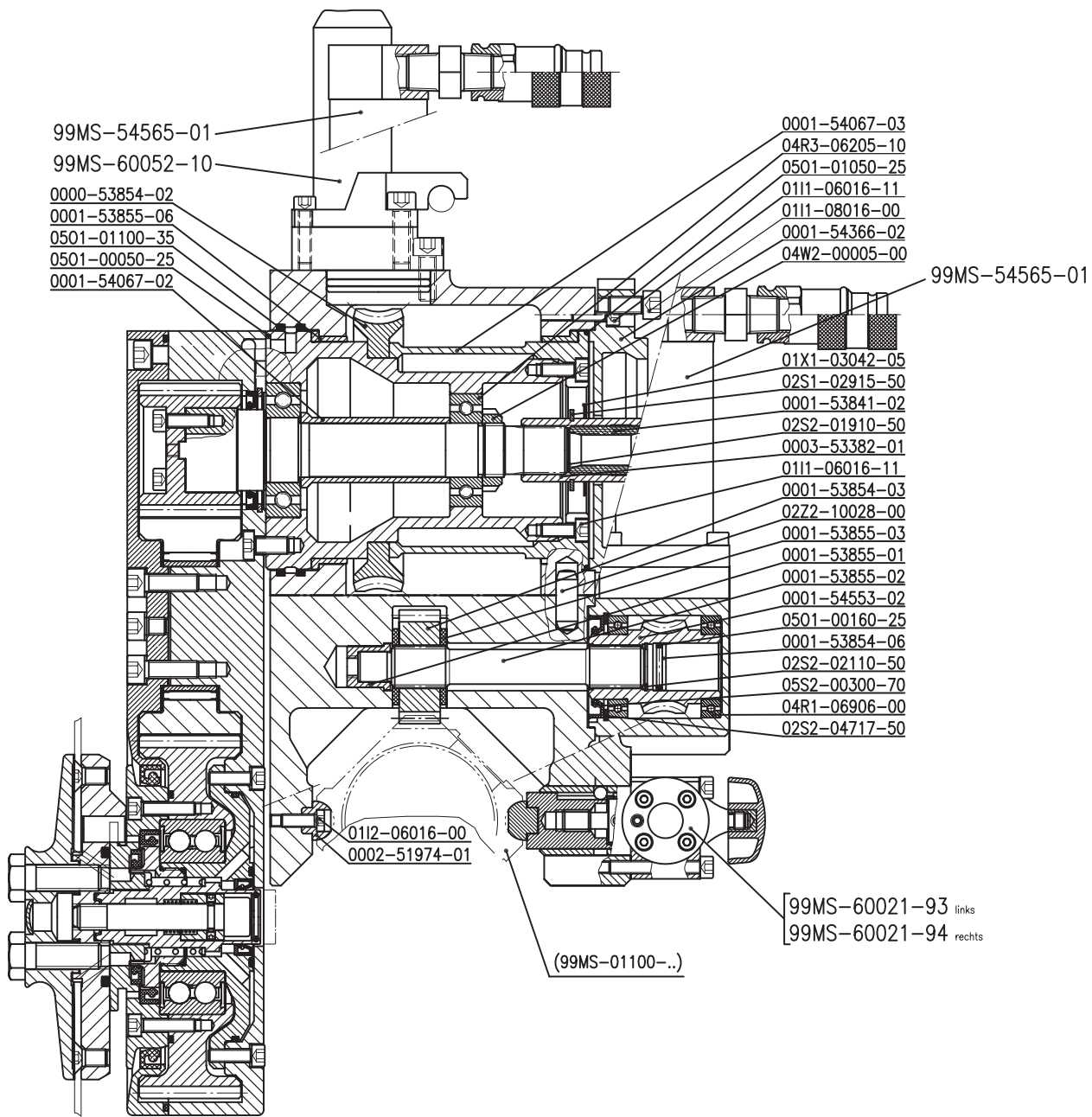


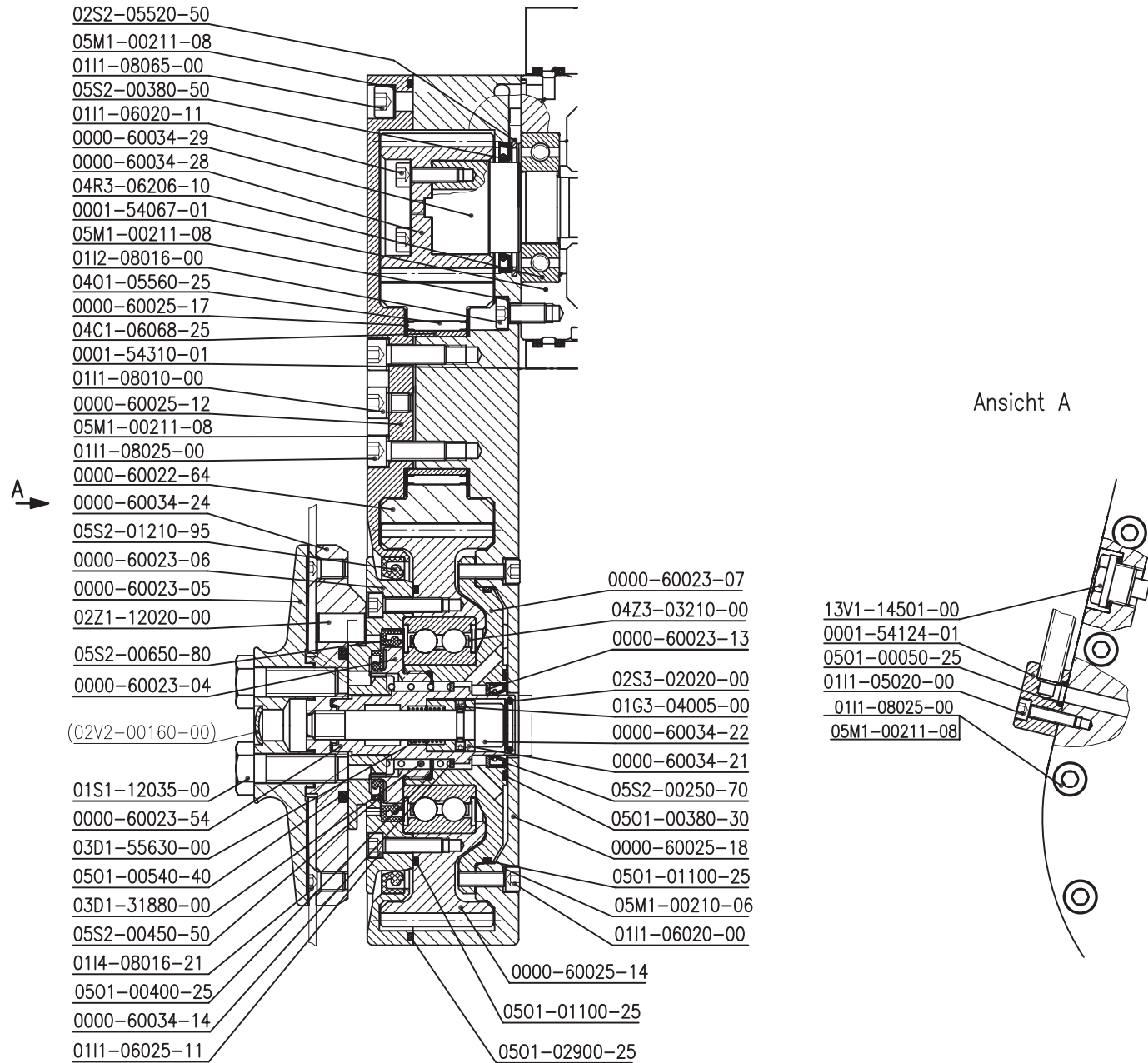
Per ordinazioni di parti di ricambio ci occorrono i dati seguenti:

- Tipo di macchina indicato sulla targhetta della macchina (per es. FZ-4S)
- Numero della macchina indicato sulla targhetta della macchina (per es. 20030000)
- Indice della macchina indicato sulla targhetta della macchina (per es. 002)
- Numero della parte di ricambio secondo la lista di parti di ricambio (per es. 10977902)

Per ordinazioni, domande o richieste d'informazioni Vi preghiamo di rivolgerVi all'agenzia competente.





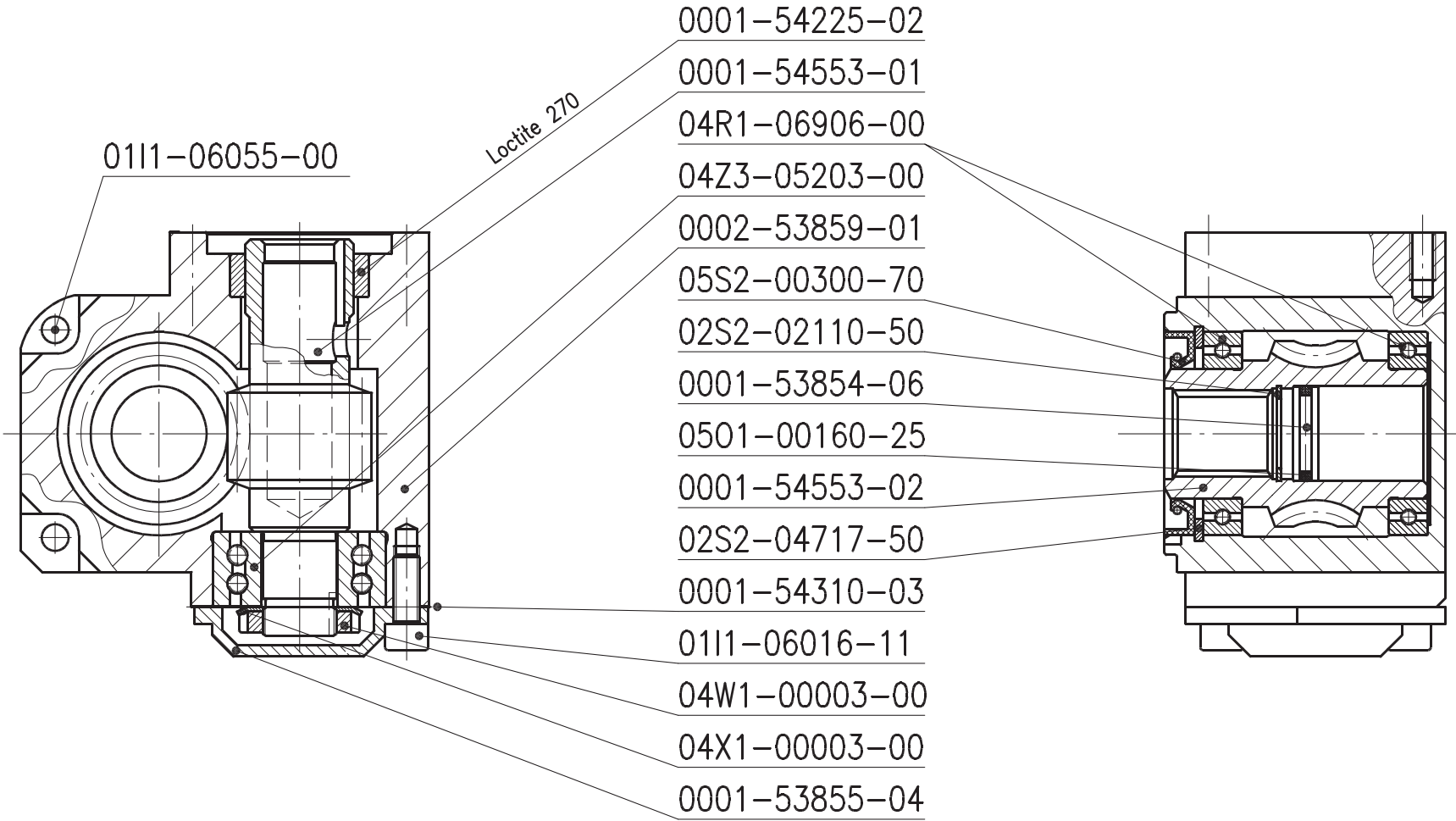


MSWA-FZ-4S	999039	Wandsäge FZ-4S	Wall Saw FZ-4S	Scie murale FZ-4S	Seghe a muro FZ-4S	1
Baugruppe.	Mat. Nr.	Deutsch	English	Français	Italiano	Stk.
99MS-54653-01	976997	Vorschubgetr.1:16 DZ/FZ	Feed gear 1:16 DZ/FZ	Engrenage d'avance 1:16 DZ/FZ	Avanzamento con rid. 1:16 DZ/FZ	1
20HS-AZ006	973892	Schnellwechselsatz AZ/FZ	Quick-change set AZ/FZ	Set échange rapide set AZ/FZ	Kit cambio rapido motore AZ/FZ	1
99MS-60021-93	963548	Y-Schlittenf. R Bronze	Y slide guide right bronze	Coulisseau en Y droit bronze	Guida a slitta a Y destra bronzo	1
99MS-60021-94	963547	Y-Schlittenf. L Bronze	Y slide guide left bronze	Coulisseau en Y gauche bronze	Guida a slitta sinistra bronzo	1
99MS-54565-01	976554	Vorschubmotor DZ/FZ	Feed motor hydr.DZ/FZ	Moteur d'avancement DZ/FZ	Motore d'avanzamento DZ/FZ	2
99MS-60052-10	968764	Blattschutzaufnahme kpl.	Bolt (US version)	Support pour capot de prot. cpl.	Attacco fisso del carter compl.	1
Zeichn. Nr.	Mat. Nr.	Deutsch	English	Français	Italiano	Stk.
0000-60022-64	969587	Zwischenrad Z=42	Intermediate wheel Z=42	Poulie intermédiaire Z=42	Ruota intermedia Z=42	1
0000-60023-04	984886	Nabenmutter	Hub nut	Mojeu mère	Dado	1
0000-60023-05	984759	Blattdeckel	Blade cover	Couvercle du disque	Fissaggio disco	1
0000-60023-06	984761	Blattnabe	Blade hub	Moyeu de disque	Mozzo del disco	1
0000-60023-07	984762	Nabenlager	Hub bearing	Flasque intérieure	Mozzo porta cuscinetto	1
0000-60023-13	984983	Scheibe	Washer	Rondelle	Rondella	1
0000-60023-54	10977476	Spannhülse N	Tensioning bush N	Douille de serrage N	Bussola di serraggio N	1
0000-60025-12	963655	Deckel	Cover	Couvercle	Coperchio	1
0000-60025-14	963652	Nabenritzel Z=65	Hub pinion Z=65	Moyeu de pignon Z=65	Corona dent. Gr. z65	1
0000-60025-17	964876	Lagerscheibe	Ball bearing disk	Plaque pr. Roulement	Disco del cuscinetto	2
0000-60025-18	984903	Gehäuse	Housing	Carter	Cassa	1
0000-60034-14	10977178	Federring	Spring washer	Rond.élast.bombée pour	Rosetta elastica	1
0000-60034-21	10977473	Nabenring	Axle ring	Anneau de la vis centrale	Bussola vite speciale	1
0000-60034-22	10977474	Zyl.Schraube M12x70 N	Zyl. screw M12x70 N	Vis cylindrique M12x70 N	vite a testa cilindrica M12x70 N	1
0000-60034-24	10977478	Blattaufnahme	Blade uptake	Support de fixation de lame	Flangia	1
0000-60034-28	10987063	Antriebsritzel Z=22	Pinion Z=22	Pignon d'entraînement Z=22	Routa dentata piccola Z=22	1
0000-60034-29	10987064	Antriebswelle	Drive shaft	Arbre d'entraînement	Albero di comando	1
0000-60209-32	10981565	Sicherheitsschild	Safety Shield	Panneau de sécurité	Scudo di sicurezza	1
0001-53841-02	971060	Zahnhülse	Tooth profile coupling	Douille cannelée	Bossolo a profilo dentato	1
0001-53850-01	971057	Lagergehäuse	Bearing case	Carter pour palier	Portacuscinetto	1

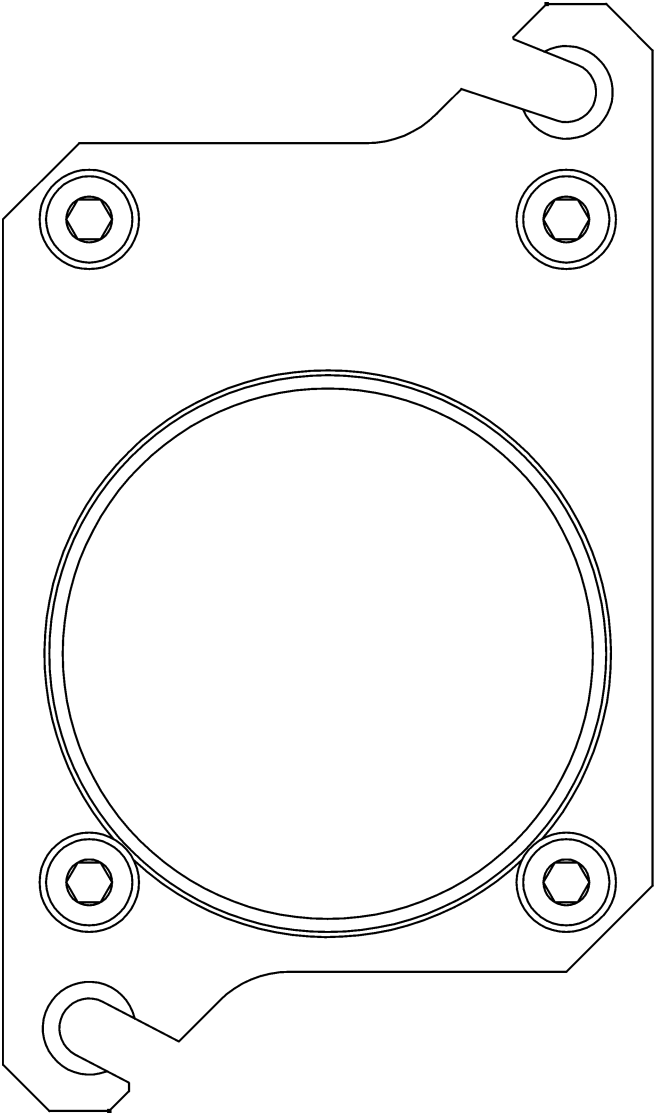
MSWA-FZ-4S	999039	Wandsäge FZ-4S	Wall Saw FZ-4S	Scie murale FZ-4S	Seghe a muro FZ-4S	1
Baugruppe.	Mat. Nr.	Deutsch	English	Français	Italiano	Stk.
0001-53854-03	974755	Vorschubrad	Feed wheel	Pignon d'avance	Ruota d'avanzamento	1
0001-53851-01	971061	Support	Support	Support	Supporto base	1
0001-53854-01	971064	Schnecke	Worm	Vis sans fin	Coclea	1
0001-53854-02	971065	Schneckenrad SV	Worm wheel	Roue-vis sans fin	Ruota a vite	1
20HS-AZ006	973892	Schnellwechselsatz AZ/FZ	Quick-change set AZ/FZ	Set échange rapide set AZ/FZ	Kit cambio rapido motore AZ/FZ	1
0001-53855-01	974757	Lagerhülse	Bearing socket	Fourreau de palier	Bussola del cuscinetto	1
0001-53855-02	971069	Vorschubwelle	Feed shaft	Arbre d'avance	Albero d'avanzamento	1
0001-53855-03	971070	Lauftring	Ball race	Anneau	Anello di scorrimento	2
0001-53855-06	971071	Lagerbüchse	Bearing bush	Cage de roulement double	Bossolo per supporto	2
0001-54067-01	974771	Lagerhülse	Bearing socket	Fourreau de palier	Bussola del cuscinetto	1
0001-54067-02	974772	Distanzrohr	Distance sleeve	Entretoise d'écartement	Condotto distanziatore	1
0001-54067-03	971105	Spannhülse	Tensioning bush	Douille de serrage	Bussola di serraggio	1
0001-54124-01	971118	Wasserleitung	Water hose	Tuyau d'eau	Tube d'acqua	1
0001-54310-01	971179	Dichtung Lagergehäuse	Sealing bearing case	Joint du palier	Guarnizione portacuscinetto	1
0001-54366-02	975878	Aufnahmepl. Gr.2+3	Flange	Bride de moteur	Flangia fissaggio motore	1
0002-51974-01	971203	Prisma Bronze	Bronze prism	Patin en bronze	Prisma in ottone	2
0002-54457-02	975924	HS-Typenschild klein	HS-type plate small	Plaque de fabrication petite	Targhetta piccola del modello	1
0003-53382-01	971529	Zahnhülse	Tooth sleeve	Douille dentee	Boccola a profilo dentato	1
01G3-04005-00	10977484	Gewindestift M4x5	Slotted set screw M4x5	Vis sans tête M4x5	Vite senza testa M4x5	2
0111-05020-00	971693	Inbus-Schraube M5x20	Allen head screw M5x20	Vis à six pans creux M5x20	Vite ad esagono cavo M5X20	2
0111-06016-11	971706	Inbus Schraube M6x16	Allen head screw M6x16	Vis à six pans creux M6x16	Vite ad esagono cavo M6X16	16
0111-06020-00	971709	Inbus Schraube M6x20	Allen head screw M6x20	Vis à six pans creux M6x20	Vite ad esagono cavo M6X20	4
0111-06020-00	971709	Inbus Schraube M6x20	Allen head screw M6x20	Vis à six pans creux M6x20	Vite ad esagono cavo M6X20	12
0111-06020-11	971710	Inbus Schraube M6x20	Allen head screw M6x20	Vis à six pans creux M6x20	Vite ad esagono cavo M6X20	4
0111-06025-11	971712	Inbus Schraube M6x25	Allen head screw	Vis à six pans creux M6x25	Vite ad esagono cavo M6X25	12

MSWA-FZ-4S	999039	Wandsäge FZ-4S	Wall Saw FZ-4S	Scie murale FZ-4S	Seghe a muro FZ-4S	1
Baugruppe.	Mat. Nr.	Deutsch	English	Français	Italiano	Stk.
0111-08010-00	971728	Inbus-Schraube M8x10	Allen head screw M8x 0	Vis à six pans creux M8x10	Vite ad esagono cavo M8x10	1
0111-08016-00	971731	Inbus-Schraube M8x16	Allen head screw M8x16	Vis à six pans creux M 8X16	Vite ad esagono cavo M8X16	2
0111-08025-00	979284	Inbus-Schraube M8x25	Allen head screw M8x25	Vis à six pans creux M8x25	Vite ad esagono cavo M8x25	16
0111-08065-00	971750	Inbus-Schraube M8x65	Allen head screw M8x65	Vis à six pans creux M 8x 65	Vite ad esagono cavo M8x65	8
0111-10100-00	971774	Inbus-Schraube M10x100	Allen head screw M10x100	Vis à six pans creux M10x100	Vite ad esagono cavo M10x100	4
0112-06016-00	971809	Inb-Schr.nied.Kopf M6x16	Allen head screw M6x16	Vis à six pans creux bas M6x16	Vite ad esag.cavo testa bassa M6x16	4
0112-08016-00	979293	Inb-Schr.nied.Kopf M8x16	Allen head screw M8x16	Vis à six pans creux bas M8x16	Vite ad esag.cavo testa bassa M8X16	3
0114-08016-21	971825	Senkkopfschraube M 8x 16	Countersunk head screw M8x16	Vis à tête fraisée M8x16	Vite a testa svasata M8x16	6
01S1-12035-00	969911	6kt-Schraube M12x35	Hexagonal screw M12x35	Vis à tête hexagonale M12x35	Vite a testa esagonale M12x35	2
01X1-03042-05	976423	Distanzscheibe 30/42/0,5	Distance washer 30/42/0,5	Rondelle entretoise 30/42/0,5	Rondella distanziatrice 30/42/0.5	1
02L2-00040-08	971986	Kerbnagel 4x8	Grooved pin 4x8	Clou cannelé 4x8	Chiodo intagliato 4x8	4
02S1-02512-50	971996	Seegerring Welle Dm 25	Seeger circlipping Ø 25	Anneau de retenue Seeger Ø 25	Anello tipo seeger Ø 25	1
02S2-05520-50	965589	Seegering Bohr. Dm 55	Seeger ring Ø 55	Anneau de retenue Seeger Ø 55	Anello tipo seeger Ø 55	1
02S3-02020-00	999679	Sprengring Dm 20 Bohrung	Seeger circlipping Ø 20 core	Anneau de ret.Seeger Ø 20 carott.	Anello tipo seeger Ø 20 foratura	1
02Z1-12020-00	984930	Zylinderstift 12 m6 x 20	Straight pin 12 m6x20	Goupille cylindrique 12 m6x20	Spillo dritto 12 m6X20	2
02Z2-08020-00	972055	Zylinderstift 8 m6 x 20	Straight pin 8 m6x20	Goupille cylindrique 8 m6x20	Spillo dritto 8 m6x20	1
02Z2-10028-00	972057	Zylinderstift 10 m6 x 28	Straight pin 10 m6x28	Goupille cylindrique 10 m6x28	Spillo dritto 10 m6x28	2
03D1-31880-00	999496	Druckfeder Dm32/2,5x71,5	Pressure spring Ø32/2,5x71,5	Ressort à pression Ø 32/2,5x71,5	Molla di compressione Ø 32/2,5x71,5	1
03D1-55630-00	10977472	Druckfeder 13.5/0.9x56.7	Pressure spring 13.5/0.9x56.7	Ressort à pression 13.5/0.9x56.7	Molla di compressione 13,5/0,9X56,7	1
04C1-06068-25	963378	Nadelkranz K60x68x25	Ball ring K60x68x25	Butée à aiguilles 60x68x25	corona assiale a rullini K60x68x25	1
04O1-05560-25	963379	Innenring IR 55x60x25	Ring IR 55x60x25	Anneau IR 55x60x25	Anello IR 55x60x25	1
04R1-61805-00	972143	Rillen-Kugellag. 61805T	Grooved ball bearing 61805T	Roulement à billes rainuré 61805 T	Cuscinetto rigido a sfere 61805 T	1
04R3-06205-10	977061	Ril.Kugell. 6205-2RS1-W64	Groov.ball bear.6205-2RS1-W64	Roul.à billes rain.6205-2RS1-W64	Cusc. rigido a sfere 6205-2RS1-W64	1
04R3-06206-10	977062	Ril.Kugell. 6206-2RS1-W64	Groov.ball bear.6206-2RS1-W64	Roul.à billes rain.6206-2RS1-W64	Cusc. rigido a sfere 6206-2RS1-W64	1
04V1-QJ304-00	972157	Vierpunktlager QJ304	Four point bearing Q1304	Palier à quatre points QJ304	Cuscinetto QJ304	1

MSWA-FZ-4S	999039	Wandsäge FZ-4S	Wall Saw FZ-4S	Scie murale FZ-4S	Seghe a muro FZ-4S	1
Baugruppe.	Mat. Nr.	Deutsch	English	Français	Italiano	Stk.
04W1-00004-00	974848	Wellenmutter KM4	Shaft nut	Ecrou crenclé KM4	Dado dell'albero KM4	1
04W2-00005-00	975954	Stop-Wellenmutter 25x1,5	Stop-Shaft nut 25x1,5	Arret d'ecrou d'arbre 25x1,5	Arresto dado dell'albero 25x1,5	1
04X1-00004-00	972165	Sicherungsblech MB4	Lock washer MB4	Rondelle de sécurité MB4	Piastra di sicurezza MB4	1
04Z3-03210-00	969595	Schräg-Kugellag. 3210-2RS	Angular ball bearing 3210-2RS	Roulem.à billes à cont.obl.3210-2RS	Cuscinetto a sfere oblique 3210-2RS	1
05C1-16171-14	972186	Kupferdichtung G 1/4	Copper sealing G 1/4	Joint cuivre G 1/4	Guarnizione in rame G 1/4	"1
05M1-00210-06	972203	Megu-Ring 7,3/10,2x1,00	Megu-Ring 7,3/10,2x1,00	Rondelle Megu 7,3/10,2x1,00	Rondella Megu 7,3/10,2x1,00	12
05M1-00211-08	972204	Megu-Ring 8,5/13,4x1,00	Megu-Ring 8,5/13,4x1,00	Rondelle Megu 8,5/13,4x1,00	Rondella Megu 8,5/13,4x1,00	28
05O1-00050-25	972210	O-Ring 5.00x2.50 N 70	O-ring seal 5.00x2.50 N 70	Joint torique 5.00x2.50 N 70	Guarnizione OR 5.00x2.50 N 70	3
05O1-00380-30	979547	O-Ring 38.00x3.00 N 70	O-ring seal 38.00x3.00 N70	Joint torique 38.00x3.00 N 70	Guarnizione OR 38.00x3.00 N 70	1
05O1-00400-25	969599	O-Ring 40.00x2.50 N 70	O-ring seal 40.00x2.50 N 70	Joint torique 40.00x2.50 N 70	Guarnizione OR 40.00x2.50 N 70	1
05O1-00540-40	979550	O-Ring 54.00x4.00 N 70	O-ring seal 54.00x4.00 N 70	Joint torique 54.00x4.00 N 70	Guarnizione OR 54.00x4.00 N 70	1
05O1-01050-25	972294	O-Ring 105.00x2.50 N 70	O-ring seal 105.00x2.50 N 70	Joint torique 105.00x2.50 N 70	Guarnizione OR 105.00x2.50 N 70	1
05O1-01100-25	969600	O-Ring 110.00x2.50 N 70	O-ring seal 110.00x2.50 N 70	Joint torique 110.00x2.50 N 70	Guarnizione OR 110.00x2.50 N 70	2
05O1-01100-35	974850	O-Ring 110.00x3.50 N 70	O-ring seal 110.00x3.50 N 70	Joint torique 110.00x3.50 N 70	Guarnizione OR 110.00x3,50 N70	2
05O1-02900-25	964789	O-Ring 290.00x2.50 N 70	O-ring seal 290.00x2.50 N70	Joint torique 290.00x2.50 N 70	Guarnizione OR 290.00x2.50 N 70	1
05S2-00250-70	972316	Sim.ring A 25/35/7 NBR RF	Retaining ring A25/35/7 NBR RF	Anneau simmer A25/35/7 NBR RF	Anello di tenuta A25/35/7 NBR RF	1
05S2-00380-50	979580	Sim.ring A 38/54/5 NBR RF	Retaining ring A38/54/5 NBR RF	Anneau simmer A38/54/5 NBR RF	Anello di tenuta A38/54/5 NBR RF	1
05S2-00450-50	963545	Sim.ring A 45/62/5 NBR RF	Retaining ring A45/62/5 NBR RF	Anneau simmer A45/62/5 NBR RF	Anello di tenuta A38/54/5 NBR RF	1
05S2-00650-80	984901	Sim.Ring A 65/80/8 NBR-RF	Retaining ring A65/80/8 NBR-RF	Anneau simmer A65/80/8 NBR-RF	Anello di tenuta A65/80/8 NBR-RF	1
05S2-01210-95	972342	Sim.ring A121/140/9,5 RF	Retaining ring A65/80/8 NBR-RF	Anneau simmer A65/80/8 NBR-RF	Anello di tenuta A65/80/8 NBR-RF	1
07S2-07013-14	972789	Stecknippel 1/4" A1-WR013	Plug-in nipple 1/4A1-WRO13	Raccord mâle 1/4A1-WRO13	Raccordo innestabile 1/4A1-WRO13	1
13G4-11626-06	973616	Bügelgriff GN-565.1	Handle GN-565.1	Poignee GN-565.1	Impugnatura GN-565.1	2
13V1-14501-00	973638	Verschl.Schr.m.Magnet 3/8	Locking screw 3/8	Bouchon de fermeture à vis 3/8	Tappo a vite 3/8	1
19S3-INBLA-10	10980265	Inbusschl. Gr.10 lang	Allen key 10 long	Clé mâle à six pans 10 lonque	Brugola lunga 10	1
7777-0ETUI-01	10977101	Transparent Etui A6	Transparent Etui A6	Etui transparent A6	Transparent Etui A6	1
BZDA-999146	10977081	Beipackz.D Schnelltrennf.	Leaflets D quick release flansh	Notice D flasque de sep. rapide	Volantini D flangia a sep. rapido	1
BZDA-ST002	10982001	Info ST-Flansch Upgrade	Info ST-Flansch Upgrade	Info ST-flasque Upgrade	Info ST-flangia Upgrade	1
XXKL-00000-41	976120	Polycarbon. Schild HS B4	Polycarbon plate HS B4	Plaque Polycarbon. HS B4	Targhetta in Polycarbon HS B4	1



99MS-54653-01	976997	Vorschubgetr.1:16 DZ/FZ	Feed gear 1:16 DZ/FZ	Engrenage d'avance 1/16 DZ/FZ	Avanzamento con rid. 1:16 DZ/FZ	1
Zeichn. Nr.	Mat. Nr.	Deutsch	English	Français	Italiano	Stk.
0001-53854-06	971066	Dichtungsscheibe	Sealing washer	Rondelle d'étanchéité	Disco di tenuta	1
0001-53855-04	971068	Lagerdeckel DZ/FZ	Bearing cover DZ/FZ	Couvercle du palier DZ/FZ	Coperchio del cuscinetto DZ/FZ	1
0001-54225-02	971157	Büchse DZ/FZ	Bush DZ/FZ	Duoille DZ/FZ	Boccola DZ/FZ	1
0001-54310-03	971181	Dichtung Deckel Längsvor.	Gasket, lid	Joint d'etancheite couvercle	Guardniz.carta.mot.avanz.	1
0001-54553-01	976398	Schnecke LV 1:16	Worm LV 1:16	Vis sans fin LV 1:16	Coclea LV 1:16	1
0001-54553-02	976399	Schneckenrad LV 1:16	Worm wheel LV 1:16	Roue-vis sans fin LV 1:16	Ruota a vite LV 1:16	1
0002-53859-01	971346	Schneckengehäuse DZ/FZ	Worm housing DZ/FZ	Carter vis sans fin DZ/FZ	Cassa per coclea DZ/FZ	1
0111-06016-11	971706	Inbus-Schraube M6x16 12.9	Allen head screw M6x16 12.9	Vis à six pans creux M6x16 12.9	Vite ad esagono cavo M6X16 12,9	3
0111-06055-00	971719	Inbus-Schraube M6x55	Allen head screw M6x55	Vis à six pans creux M6x55	Vite ad esagono cavo M6X55	3
02S2-02110-50	972006	Seegering Bohr. Ø 21	Seeger circlip-ring Ø. 21	Anneau de retenue Seeger Ø 21	Anello tipo seeger Ø 21	1
02S2-04717-50	972013	Seegering Bohr. Ø 47	Seeger circlip-ring Ø. 47	Anneau de retenue Seeger Ø 47	Anello tipo seeger Ø 47	1
04R1-06906-00	972140	Rillen-Kugellager 6906	Ball bearing 6906	Roulement à billes rainuré 6906	Cuscinetto rigido a sfere 6906	2
04W1-00003-00	972159	Wellenmutter KM3	Shaft nut KM3	Ecrou crenclé KM3	Dado dell'albero KM3	1
04X1-00003-00	972164	Sicherungsblech MB3	Safety sheet metal	Rondelle de Securite MB3	Lamiera di sicurezza MB3	1
04Z3-05203-00	972179	Schräggugel.3203/5203-2RS	Angular ball bear. 3203/5203-2RS	Roulem.à billes cont obli.3203/5203-2RS	Cuscin.a sfere obliq.3203/5203-2RS	1
05O1-00160-25	972227	O-Ring 16.00x2.50 N 70	O-ring seal 16.00x2.50 N 70	Joint torique 16.00x2.50 N 70	Guarnizione OR 16.00x2.50 N 70	1
05S2-00300-70	972331	Sim.ring A 30/47/7 NBR RF	Retaining ring A30/47/7 NBR RF	Anneau simmer A30/47/7 NBR RF	Anello di tenuta A30/47/7 NBR RF	1



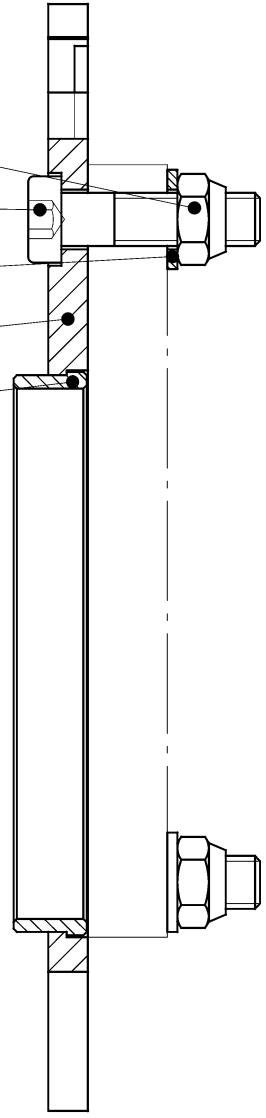
01M3-08000-60

01I6-08030-23

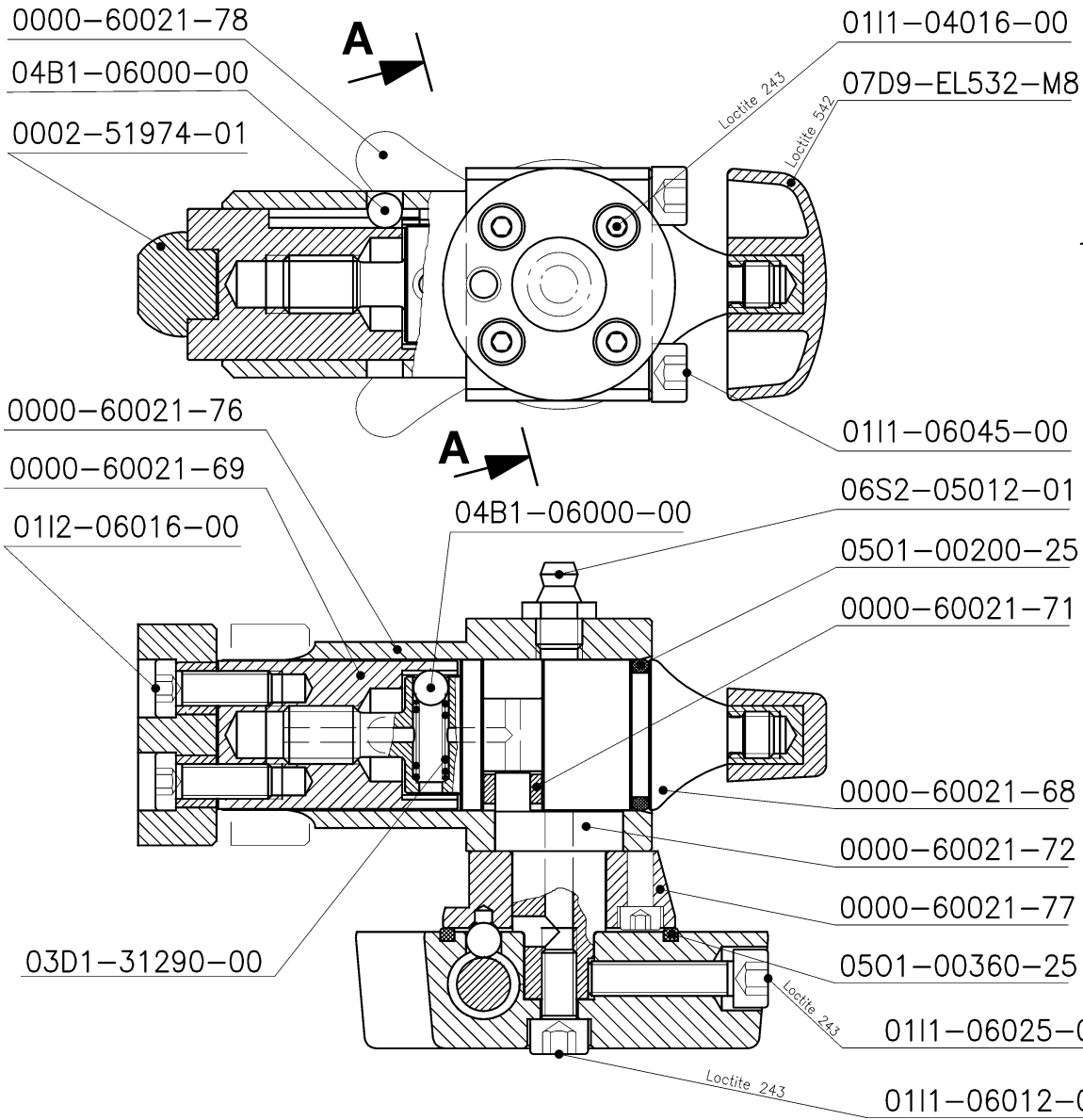
01U1-08015-50

0001-53391-01

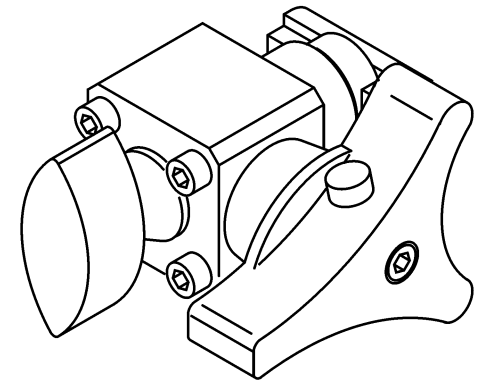
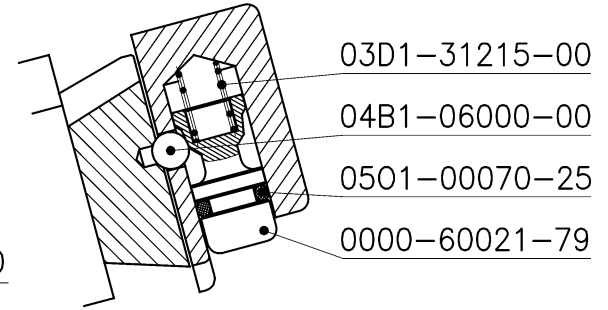
0001-53391-03



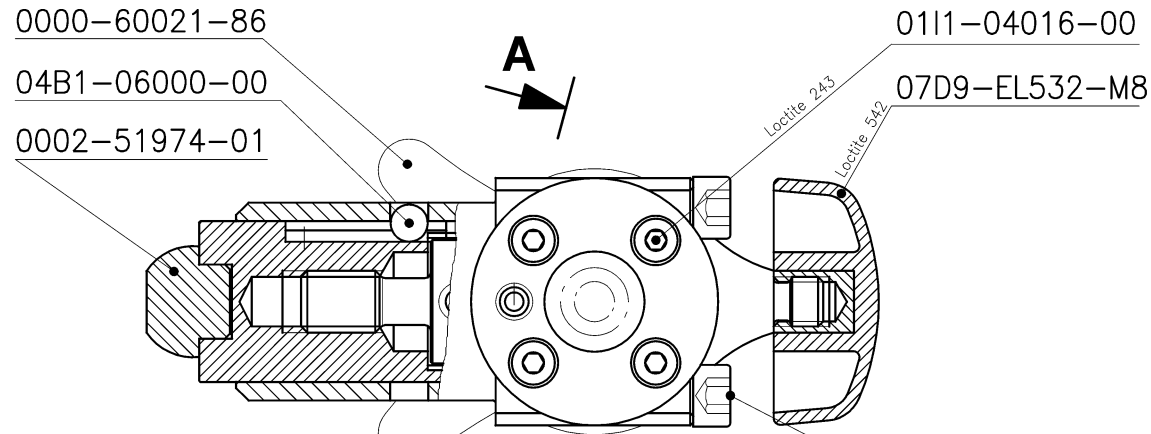
20HS-AZ006	973892	Schnellwechselsatz AZ/FZ	Quick-change set AZ/FZ	Set échange rapide AZ/FZ	Kit cambio rapido motore AZ/FZ	1
Zeichn. Nr.	Mat. Nr.	Deutsch	English	Français	Italiano	Stk.
0001-53391-01	970942	Motorplatte	Motor plate	Plaque moteur	Flangia sgancio	1
0001-53391-03	970944	Zentrierring	Centering ring	Anneau centrage	Anello di centr.	1
01I6-08030-23	971835	Inb-Schr.extr.n.Kopf M8x30	Allen head screw extr. M8x30	Vis à 6 pans creux extr. bas M8x30	Vite ad esag.cav.testa bassa M8X30	4
01M3-08000-60	971861	Stop-Mutter M8 nied.Form	Stop-nut M8 thin head	Ecrou d'arrêt f.basse M8	Dado d'arresto bas.M8	4
01U1-08015-50	979353	U-Scheibe M8	Washer M8	Rondelle M8	Rondella M8	4



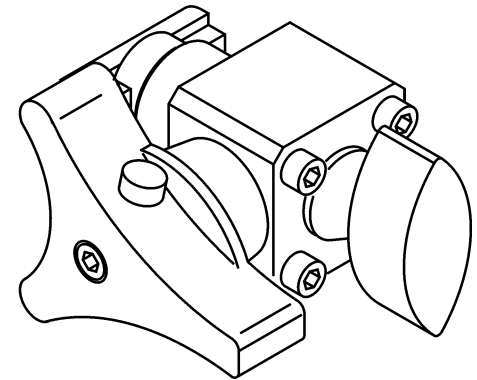
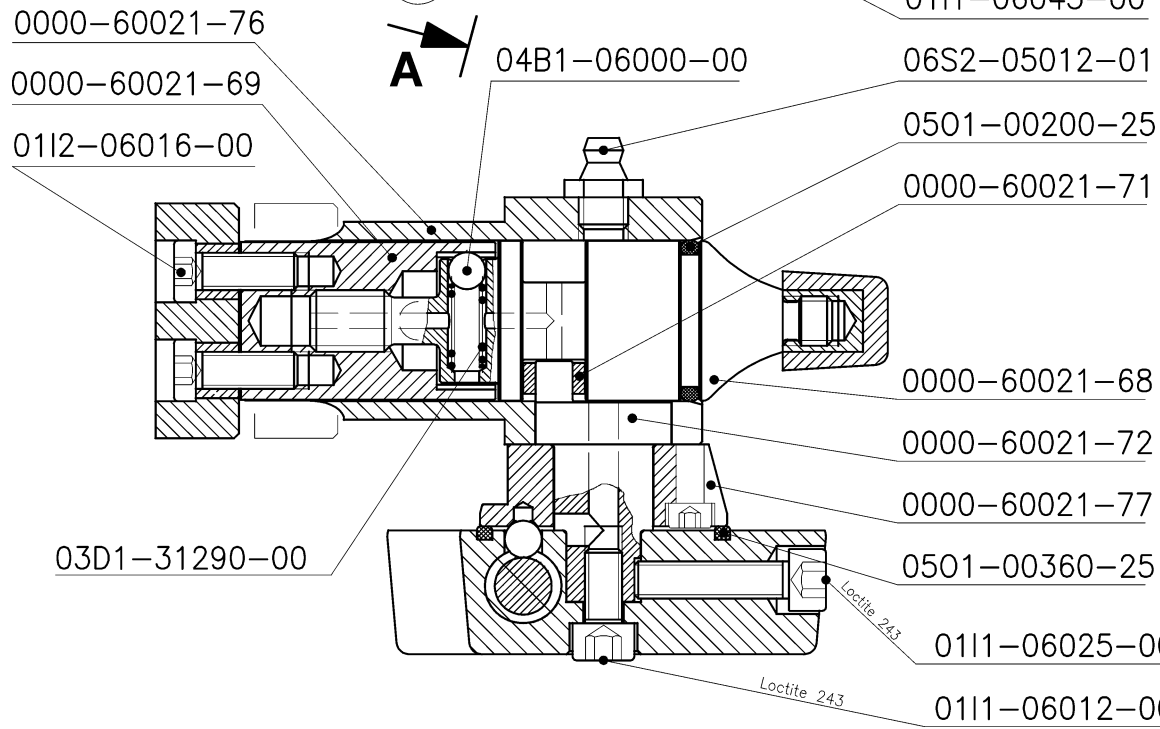
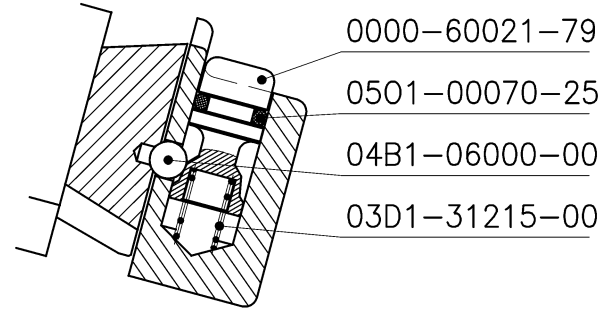
Schnitt A-A



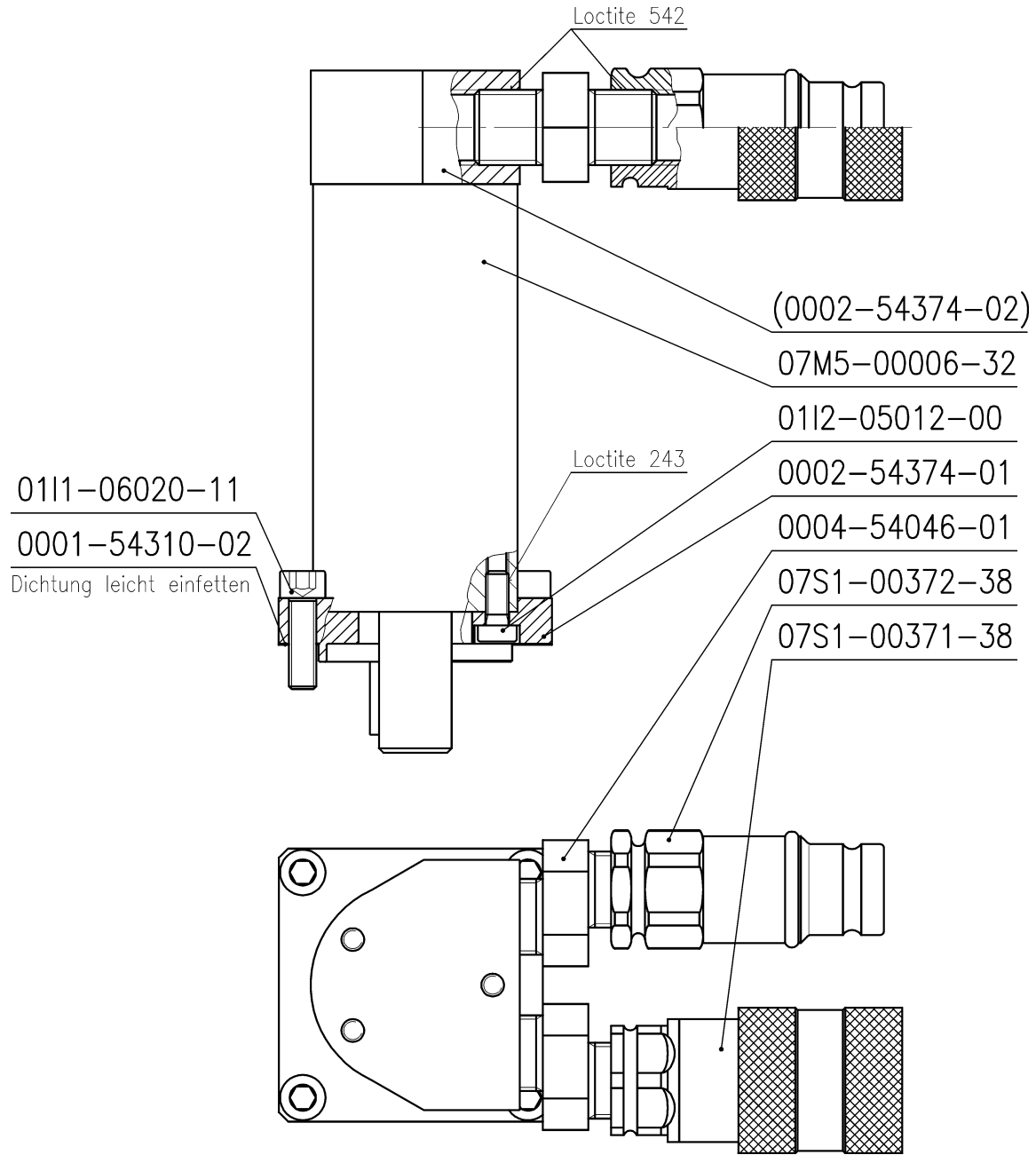
99MS-60021-93	963548	Y-Schlittenf. R Bronze	Y-slide guide right bronze	Coulisseau en Y droit bronze	Guida a slitta a Y destra bronzo	1
Zeichn. Nr.	Mat. Nr.	Deutsch	English	Français	Italiano	Stk.
0000-60021-68	977717	Exzenterwelle (Raster)	Excentric shaft (grid)	Arbre excentrique (trame)	Albero eccentrico (schema)	1
0000-60021-69	977718	Prismenschieber (Raster)	Prism valve (grid)	Vanne prismatique (trame)	Valvola prismica	1
0000-60021-71	977719	Druckplatte	Pressure plate	Plaque de pression	Piastra di pressione	1
0000-60021-72	977720	Exzenter	Excentric bolt	Boulon d'excentrique	Eccentrico	1
0000-60021-76	977724	Gehäuse	Housing	Carter	Cassa	1
0000-60021-77	977725	Rasterplatte	Grid board	Plaque crantée	Piastra a tacche	1
0000-60021-78	977726	Griff rechts	Handle right	Poignée droite	Maniglia destra	1
0000-60021-79	977727	Rastbolzen	Locking bolt	Boulon d'arret	Perno blocco carrello	1
0002-51974-01	971203	Prisma Bronze	Bronze prism	Patin en bronze	Prisma in ottone	1
0111-04016-00	971680	Inbus-Schraube M4x16	Allen head screw M4x16	Vis à six pans creux M4x16	Vite ad esagono cavo M4x16	4
0111-06012-00	971704	Inbus-Schraube M6x12	Allen head screw M6x12	Vis à six pans creux M6x12	Vite ad esagono cavo M6x12	1
0111-06025-00	971711	Inbus-Schraube M6x25	Allen head screw M6x25	Vis à six pans creux M6x25	Vite ad esagono cavo M6x25	1
0111-06045-00	971716	Inbus-Schraube M6x45	Allen head screw M6x45	Vis à six pans creux M6x45	Vite ad esagono cavo M6x45	4
0112-06016-00	971809	Inb-Schr.nied.Kopf M6x16	Allen head screw M6x16	Vis à six pans creux bas M6x16	Vite ad esag. cavo testa bas.M6x16	2
03D1-31215-00	968733	Druckfeder Dm6,3/0,8x23	Pressure spring Ø 6,3/0,8x23	Ressort à pression Ø 6,3/0,8x23	Molla di compressione Ø 6,3/0,8x23	1
03D1-31290-00	968671	Druckfeder Dm5/1,0x17	Pressure spring Ø 5/0,1x17	Ressort à pression Ø 5/1,0x17	Molla di compressione Ø 5/1,0x17	1
04B1-06000-00	979462	Kugel Ø 6mm	Ball Ø 6mm	Bille Ø 6 mm	Sfera Ø 6mm	3
05O1-00070-25	972213	O-Ring 7.00x2.50 N 70	O-ring seal 7.00x2.50 N 70	Joint torique 7.00x2.50 N 70	Guarnizione OR 7.00x2,50 N70	1
05O1-00200-25	972234	O-Ring 20.00x2.50 N 70	O-ring seal 20.00x2.50 N 70	Joint torique 20.00x2.50 N 70	Guarnizione OR 20.00x2.50 N 70	1
05O1-00360-25	972256	O-Ring 36.00x2.50 N 70	O-ring seal 36.00x2.50 N 70	Joint torique 36.00x2.50 N 70	Guarnizione OR 36.00x2.50 N 70	1
06S2-05012-01	972464	Schmiernippel H1 NPT 1/8	Grease nipple H1 NPT 1/8	Fileté de graissage H1 NPT 1/8	Ingrassatore H1 NPT 1/8	1
07D9-EL532-M8	968679	Flügelmutter M8	Wing nut M8	Ecrou à oreilles M8	Dado ad alette M8	1



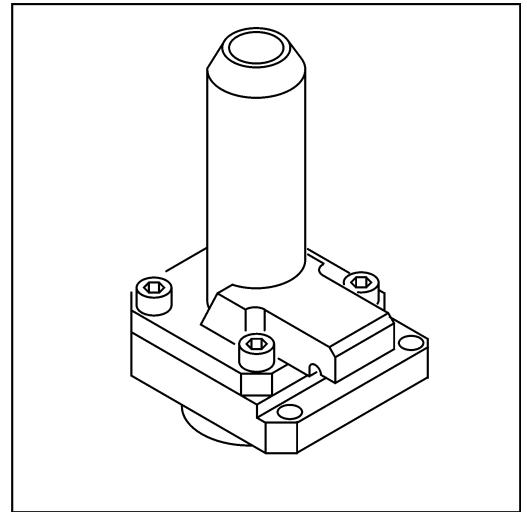
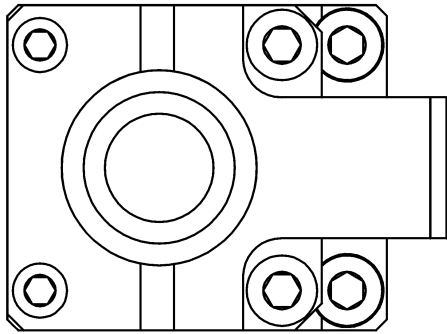
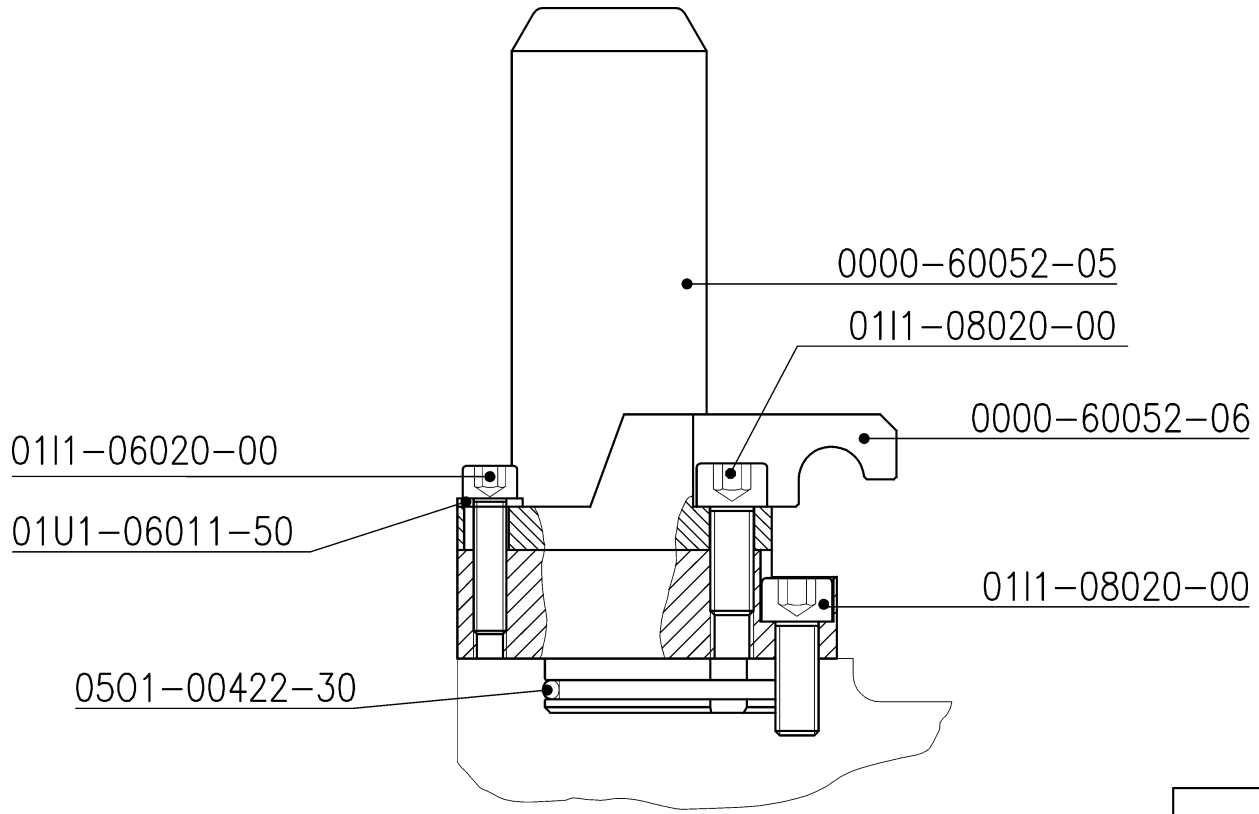
Schnitt A-A



99MS-60021-94	963547	Y-Schlittenf. L Bronze	Y-slide guide left bronze	Coulisseau en Y gauche bronze	Guida a slitta a Y sinistra bronzo	1
Zeichn. Nr.	Mat. Nr.	Deutsch	English	Français	Italiano	Stk.
0000-60021-68	977717	Exzenterwelle (Raster)	Excentric shaft (grid)	Arbre excentrique (trame)	Albero eccentrico (schema)	1
0000-60021-69	977718	Prismenschieber (Raster)	Prism valve (grid)	Vanne prismatique (trame)	Valvola prismica	1
0000-60021-71	977719	Druckplatte	Pressure plate	Plaque de pression	Piastra di pressione	1
0000-60021-72	977720	Exzenter	Excentric bolt	Boulon d'excentrique	Eccentrico	1
0000-60021-76	977724	Gehäuse	Housing	Carter	Cassa	1
0000-60021-77	977725	Rasterplatte	Grid board	Plaque crantée	Piastra a tacche	1
0000-60021-79	977727	Rastbolzen	Locking bolt	Boulon d'arret	Perno blocco carrello	1
0000-60021-86	977732	Griff links	Handle left	Poignée gauche	Maniglia sinistra	1
0002-51974-01	971203	Prisma Bronze	Bronze prism	Patin en bronze	Prisma in ottone	1
0111-04016-00	971680	Inbus-Schraube M4x16	Allen head screw M4x16	Vis à six pans creux M4x16	Vite ad esagono cavo M4x16	4
0111-06012-00	971704	Inbus-Schraube M6x12	Allen head screw M4x12	Vis à six pans creux M6x12	Vite ad esagono cavo M6x12	1
0111-06025-00	971711	Inbus-Schraube M6x25	Allen head screw M6x25	Vis à six pans creux M6x25	Vite ad esagono cavo M6x25	1
0111-06045-00	971716	Inbus-Schraube M6x45	Allen head screw M6x45	Vis à six pans creux M6x45	Vite ad esagono cavo M6x45	4
0112-06016-00	971809	Inb-Schr.nied.Kopf M6x16	Allen head screw M6x16	Vis à six pans creux bas M6x16	Vite ad esag. cavo testa bas.M6x16	2
03D1-31215-00	968733	Druckfeder Dm6,3/0,8x23	Pressure spring Ø 6,3/0,8x23	Ressort à pression Ø 6,3/0,8x23	Molla di compressione Ø 6,3/0,8x23	1
03D1-31290-00	968671	Druckfeder Dm5/1,0x17	Pressure spring Ø 5/1,0x17	Ressort à pression Ø 5/1,0x17	Molla di compressione Ø 5/1,0x17	1
04B1-06000-00	979462	Kugel Dm 6 mm	Ball Ø 6 mm	Bille Ø 6 mm	Sfera Ø 6 mm	3
05O1-00070-25	972213	O-Ring 7.00x2.50 N 70	O-ring seal 7.00x2.50 N 70	Joint torique 7.00x2.50 N 70	Guarnizione OR 7x2,5 N70	1
05O1-00200-25	972234	O-Ring 20.00x2.50 N 70	O-ring seal 20.00x2.50 N 70	Joint torique 20.00x2.50 N 70	Guarnizione OR 20.00x2.50 N 70	1
05O1-00360-25	972256	O-Ring 36.00x2.50 N 70	O-ring seal 36.00x2.50 N 70	Joint torique 36.00x2.50 N 70	Guarnizione OR 36.00x2.50 N 70	1
06S2-05012-01	972464	Schmiernippel H1 NPT 1/8	Grease nipple H1 NPT 1/8	Fileté de graissage H1 NPT 1/8	Ingrassatore H1 NPT 1/8	1
07D9-EL532-M8	968679	Flügelmutter M8	Wing nut M8	Ecrou à oreilles M8	Dado ad alette M8	1



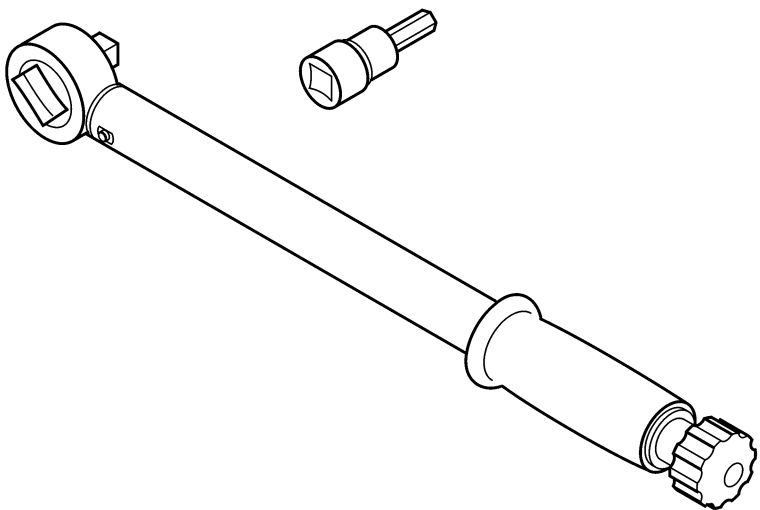
99MS-54565-01	976554	Vorschubmotor DZ/FZ	Feed motor hydr.DZ/FZ	Moteur d'avancement DZ/FZ	Motore d'avanzamento DZ/FZ	2
Zeichn. Nr.	Mat. Nr.	Deutsch	English	Français	Italiano	Stk.
0001-54310-02	971180	Dichtung Vorschubmotor	Sealing feed motor	Joint moteur d'avancement	Guarnizione motore d'avanzamento	1
0002-54374-01	976402	Motorplatte OML Anbau	Motorplate OML add-on	Plaque moteur OML additionnel	Piastra motore OML annesso	1
0004-54046-01	971616	E-Nippel 3/8" NPT	E-nipple 3/8" NPT	Raccord mâle à E 3/8" NPT	Raccordo-E 3/8" NPT	2
0111-06020-11	971710	Inb-Schraube M6x20 12.9	Allen head screw M6x20 12.9	Vis à six pans creux M6x20 12.9	Vite ad esagono cavo M6X20 12,9	4
0112-05012-00	971804	Inb-Schr.nied.Kopf M5x12	Allen head screw M5x12	Vis à six pans creux bas M5x12	Vite ad esag. cavo testa bas M5x12	4
07M5-00006-32	976442	Hydraulikmotor OML 32	Hydraulic motor OML 32	Moteur hydraulique OML 32	Motore idraulico OML 32	1
07S1-00371-38	979703	FF Kupplung 3/8"	Coupling 3/8"	Raccord femelle alu 3/8"	"Raccordo bruning femm. 3/8"	1
07S1-00372-38	979707	Nippel 3/8"	Nipple 3/8"	"Raccord mâle alu 3/8"	"Raccordo bruning masch. 3/8"	1



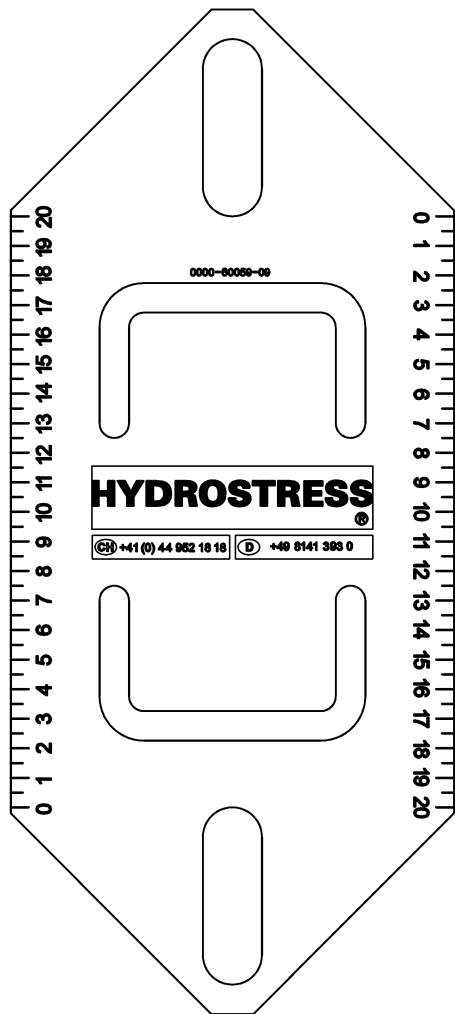
99MS-60052-10	968764	Blattschutzaufnahme kpl.	Bolt (US version)	Supp. pour capot de prot. cpl.	Attacco fisso del carter compl.	1
Zeichn. Nr.	Mat. Nr.	Deutsch	English	Français	Italiano	Stk.
0000-60052-05	977948	Zentrierbolzen US	Centering bolt US	Boulon de centrage US	Perno di centraggio US	1
0000-60052-06	977949	Zentrierplatte US	Centering plate US	Plaque de centrage US	Piastra di centraggio US	1
0111-06020-00	971709	Inbus-Schraube M6x20	Allen head screw M6x20	Vis à six pans creux M6x20	Vite ad esagono cavo M6x20	2
0111-08020-00	979283	Inbus-Schraube M8x20	Allen head screw M8x20	Vis à six pans creux M8x20	Vite ad esagono cavo M8x20	6
01U1-06011-50	971955	U-Scheibe M6	Washer M6	Rondelle en U M6	Rondella a U M6	2
05O1-00422-30	979549	O-Ring 42.00x3.00 N 70	O-ring seal 42.00x3.00 N 70	Joint torique 42.00x3.00 N 70	Guarnizione OR 42.00x3.00 N 70	1

10982722

10982723



977609



20WZ-DREHM-01	10982724	Drehmomentschlüssel kpl.	Dynamometric key cpl.	Clé dynamométrique compl.	Chiave dinamometrica completa	1
Zeichn. Nr.	Mat. Nr.	Deutsch	English	Français	Italiano	Stk.
19D2-DRE60-12	10982722	Drehmomentsch. 60Nm 1/2"	Dynamometric key 60Nm 1/2"	Clé dynamométrique 60Nm 1/2"	Chiave dinamometrica 60Nm 1/2"	1
19S8-INB10-12	10982723	Sechskantstifts.10mm 1/2"	Hexagonal brad 10mm 1/2"	Guopille hexagonale 10mm 1/2"	Spina esagonale 10mm 1/2"	1
BZDA-10982724	10982784	Beipackz.Drehmomentschl.	Instr.leaflet dynamometric key	Notice clé dynamométrique	Foglio illustr.chiave dinamometrica	1
XXKL-00000-01	976086	HS-Signet 90/20	HS-Signet 90/20	HS-Signet 90/20	HS-Signet 90/20	1
0000-60059-09	977609	Dübellehre	Dowel template	Calibre pour montage des chevilles	Maschera per tasselli	1